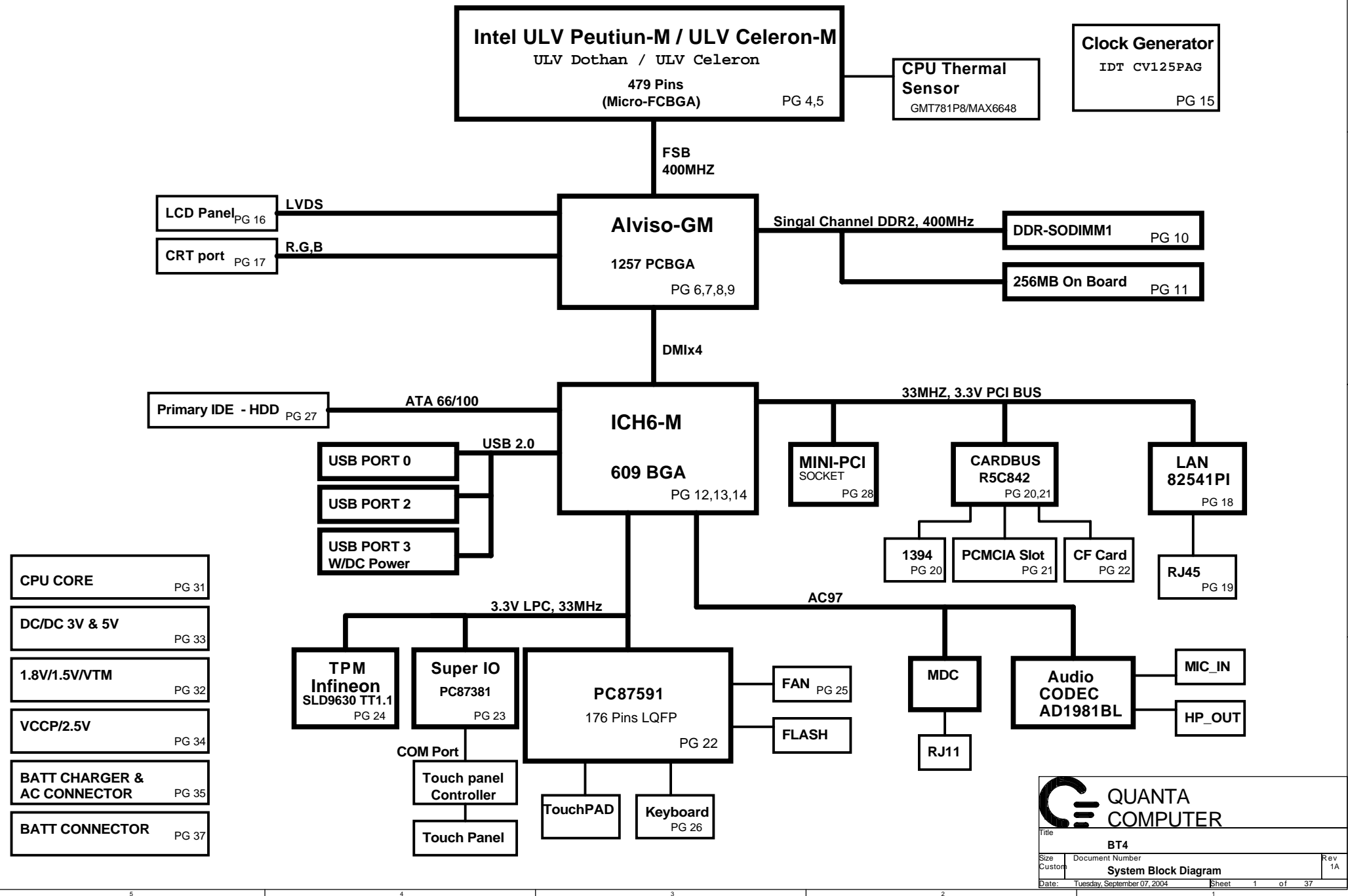


BT4 BLOCK DIAGRAM

ULV DOTHAN+ALVISO(915GM)+ICH6-M



QUANTA COMPUTER		
Title: BT4		
Size	Document Number	Rev
Custom	System Block Diagram	1A
Date: Tuesday, September 07, 2004		Sheet 1 of 37

1. Schematic Page Description :

BT4 Schematic Ver : 0.1

- | | | |
|----------------------------------|------------------------------------|-----------------------------------|
| 1. Block Diagram | 15. Clock Generator(CK410_M) | 29.CODEC AD1981BL |
| 2. Schematic Page List | 16. LCD CONNECTOR | 30. AUDIO AMP,HP,MIC |
| 3. System Info | 17. CRT | 31. CPU CORE |
| 4. u-FCBGA Dothan (1/2) | 18. LAN CONTROLLER 82541PI | 32. DDR II 1.8V,1.5V,SMDDDR_VTERM |
| 5. u-FCBGA Dothan (2/2) | 19. LAN TRANSFORMER | 33. 3V,5V POWER |
| 6. ALVISO HOST,DMI | 20. CARDBUS R5C842 (PCI/1394) | 34. VCCP , 2.5V |
| 7. ALVISO DDR II | 21. CARDBUS R5C842 (CARDBUS/MEDIA) | 35. BATTERY CHARGER |
| 8. ALVISO VGA/VSS/NCTF | 22. PCU PC87591 | 36. BATTERY Selector |
| 9. ALVISO POWER | 23. SUPER IO | 37. BATTERY CONNECTOR |
| 10. DDR II SODIMM CNN | 24. TOUCH PANEL,TPM | |
| 11.On board DDR II | 25. RTC/PCBEEP/FAN,CF CARD | |
| 12. ICH6-M CPU/PCI/IDE/SATA/AC97 | 26. KB/USB | |
| 13. ICH6-M USB/DMI/LPC/PCI_E | 27. HDD,LED,S/W | |
| 14. ICH6-M POWER/GND | 28. MINIPCI/MDC | |

2. PCI Description :

IDSEL	CHIP
AD18	LAN 82541PI
AD20	Mini PCI(Wireless LAN)
AD23	CardBus (R5C842)

PCIINT	CHIP
IRQA	CardBus
IRQB	CardBus/MiniPCI
IRQC	CardBus/MiniPCI
IRQD	CardBus/LAN
IRQE	
IRQF	

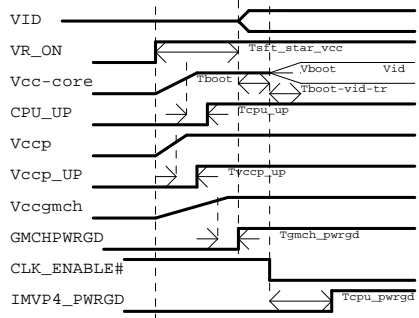
BUSMASTER	REQ	CHIP
REQ0 / GNT0		LAN 82541PI
REQ1 / GNT1		CardBus (R5C842)
REQ2 / GNT2		Mini PCI(Wireless LAN)
REQ3 / GNT3		
REQ4 / GNT4		

Board Stack up Description

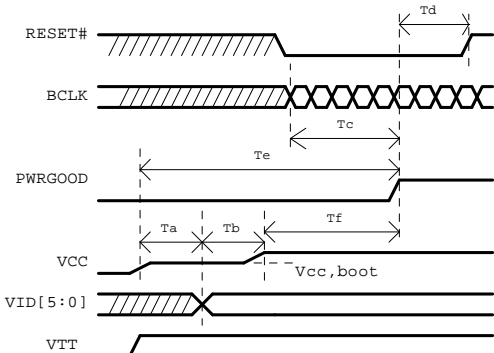
PCB Layers

- Layer 1 TOP (Component, Other)
- Layer 2 Power Plane
- Layer 3 IN1 (FSB, DDR2, PCI, IDE, LPC)
- Layer 4 IN2 (FSB, CLOCK, DDR2, CLK)
- Layer 5 Ground Plane
- Layer 6 BOTTOM, (FSB, DDR2, CLK, Component)

Power On Sequencing Timing Diagram



Dothan Power-up Timing Specifications

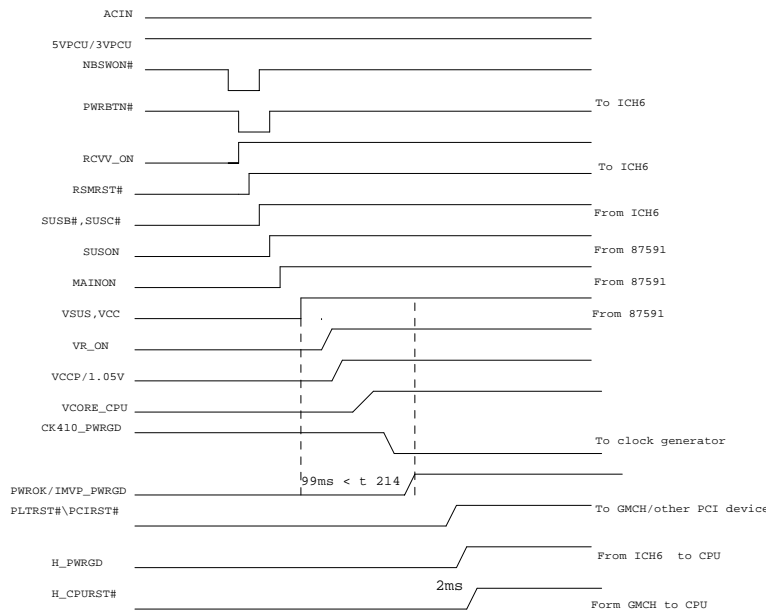


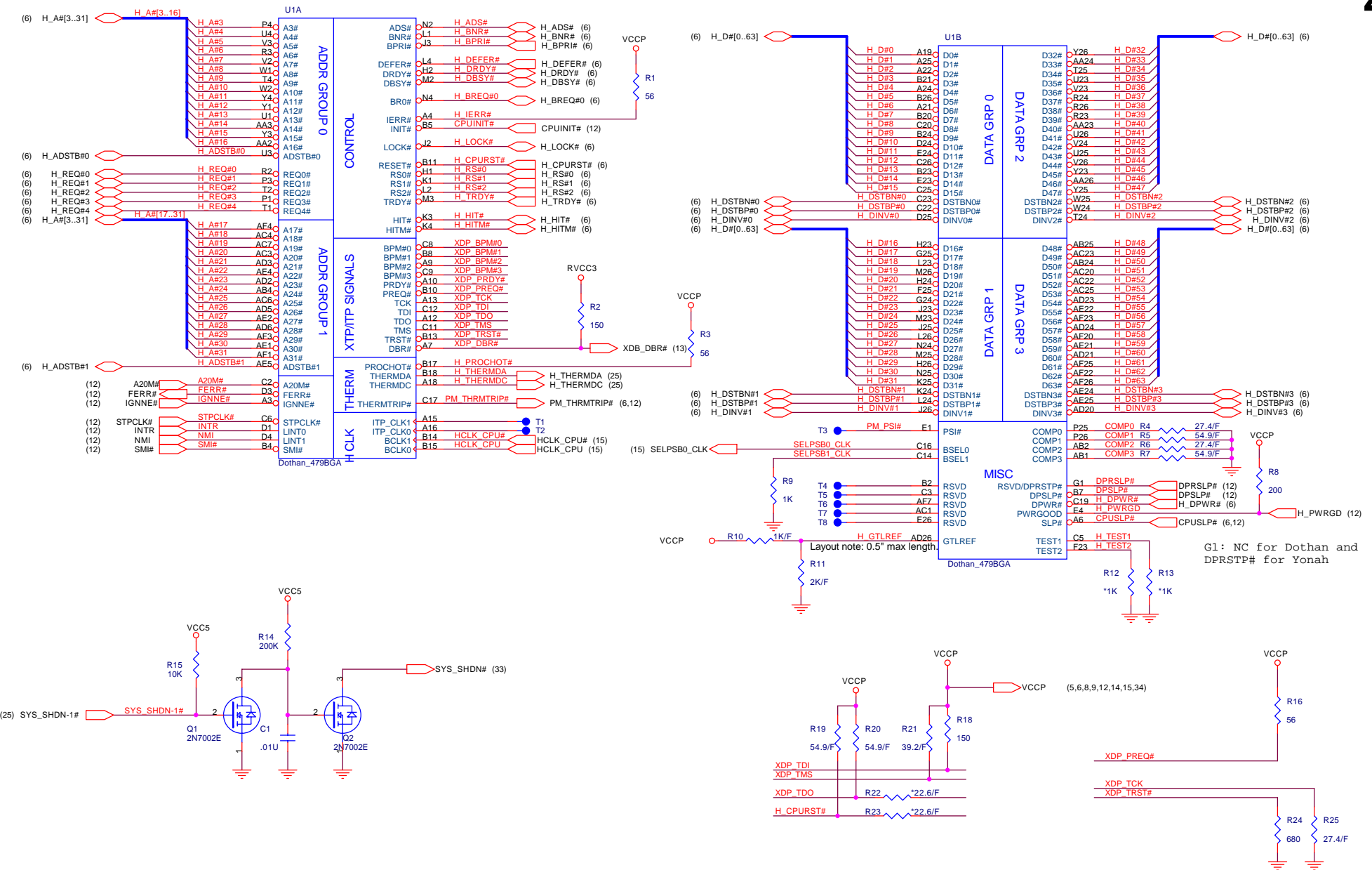
Ta=VCC and VCCP assertion to VID[5:0] valid
 Tb=VID[5:0] stable to VCC valid
 Tc=BCLK stable to PWRGOOD assertion
 Td=PWRGOOD to RESET# de-assertion time
 Te=Vcc,boot valid to PWRGOOD assertion time
 Tf=VCC valid to PWRGOOD assertion time

Voltage Rails

Voltage Rails	ON S0-S2	ON S3	ON S4	ON S5	Control signal
VCC_CORE Core voltage for Processor	X				VR_ON 0.812V~0.94V
VCCP Core voltage for CPU / NB	X				VR_ON
SMDDR_VTERM 0.9V for DDR2 Termination voltage	X				MAINON
RVCC1.5	X	X	X		RVCC_ON
RVCC3	X	X	X		RVCCD
VCC1.5	X				MAIND
VCC2.5	X				MAINON
VCC3	X				MAIND
VCC5	X				MAIND
1.8VSUS	X	X			SUSON
3VSUS	X	X			SUSD
5VSUS	X	X			SUSD
3VPCU	X	X	X	X	VL
5VPCU	X	X	X	X	VL
9VPCU	X	X	X	X	5VPCU

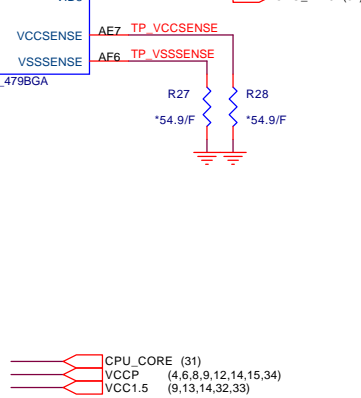
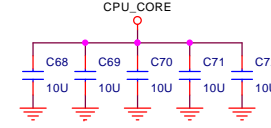
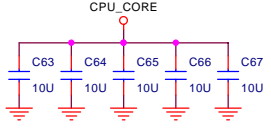
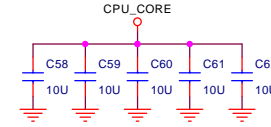
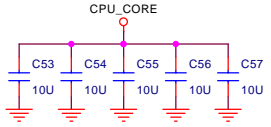
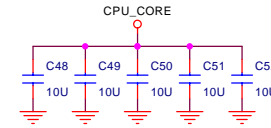
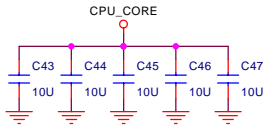
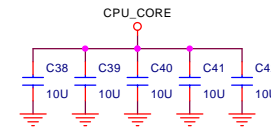
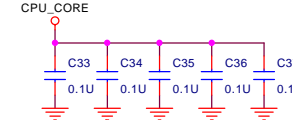
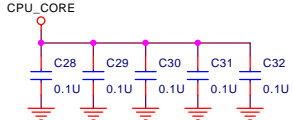
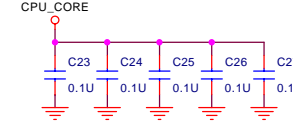
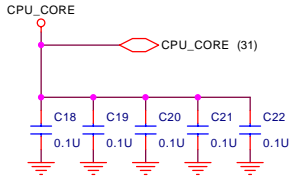
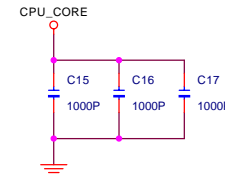
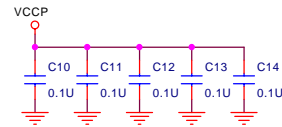
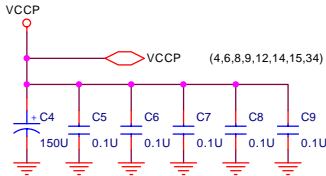
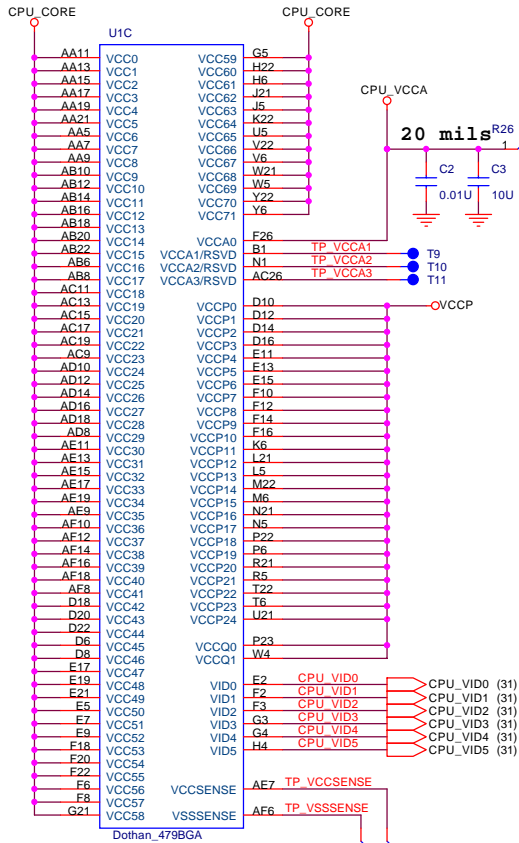
ACIN POWER ON TIMING





Highest Frequency mode: 5W 0.94V
 Lowest Frequency mode: 3W 0.812V

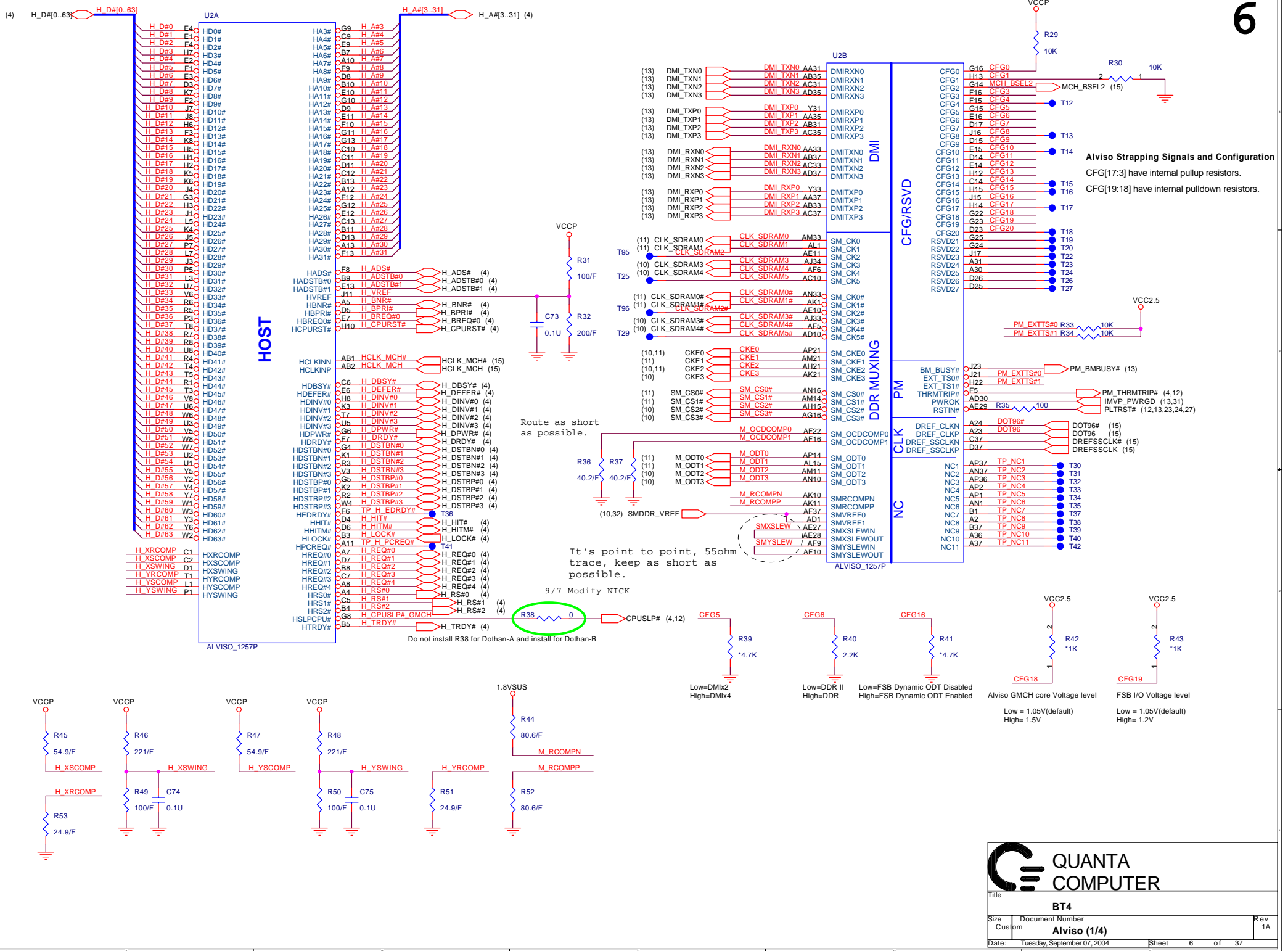
7A 280mils

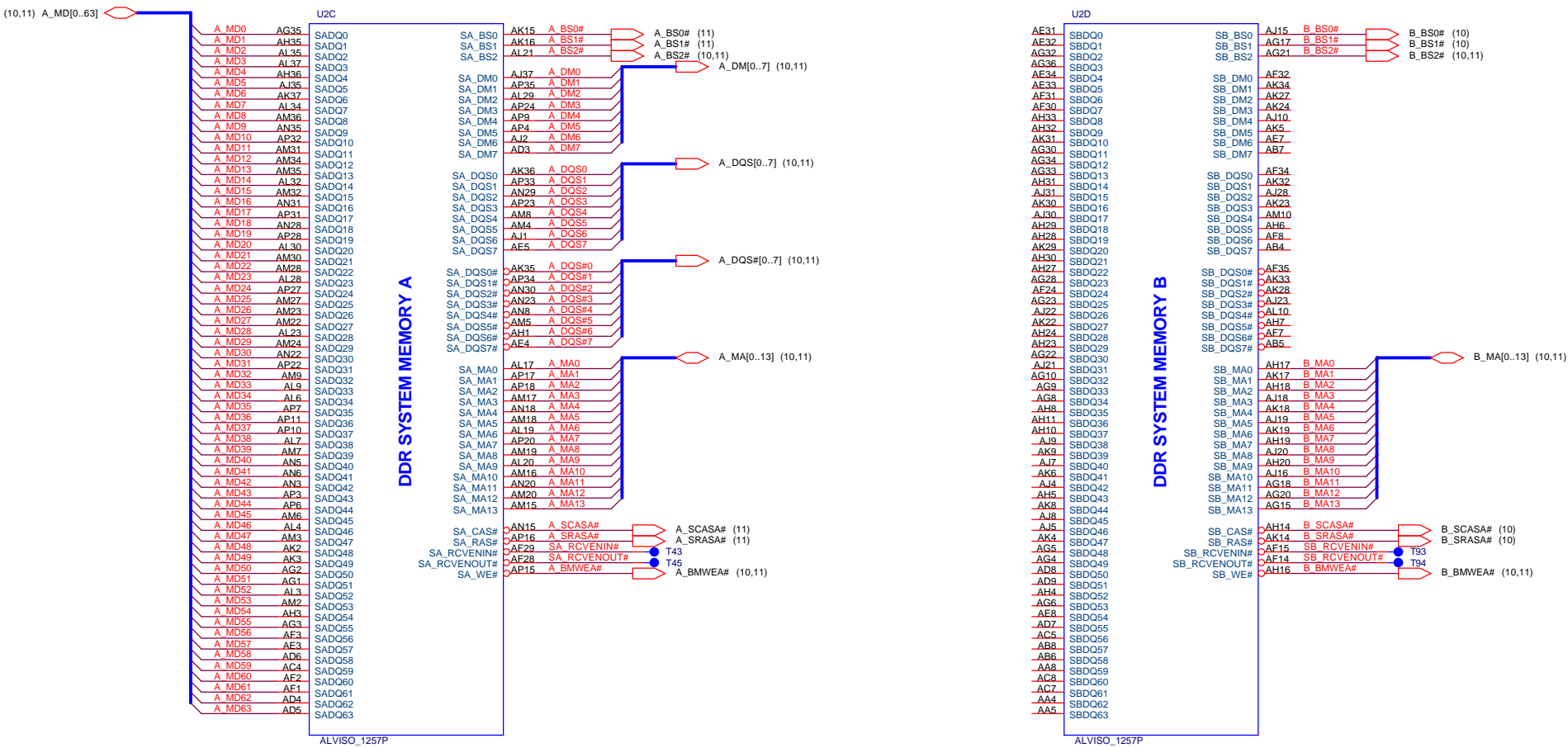


U1D		
A2	VSS0	D13
A5	VSS1	VSS97
A8	VSS2	VSS98
A11	VSS3	VSS99
A14	VSS4	VSS100
A17	VSS5	VSS101
A20	VSS6	VSS102
A23	VSS7	VSS103
A26	VSS8	VSS104
AA1	VSS9	VSS105
AA4	VSS10	VSS106
AA6	VSS11	VSS107
AA8	VSS12	VSS108
AA10	VSS13	VSS109
AA12	VSS14	VSS110
AA14	VSS15	VSS111
AA16	VSS16	VSS112
AA18	VSS17	VSS113
AA20	VSS18	VSS114
AA22	VSS19	VSS115
AA25	VSS20	VSS116
AB3	VSS21	VSS117
AB5	VSS22	VSS118
AB7	VSS23	VSS119
AB9	VSS24	VSS120
AB11	VSS25	VSS121
AB13	VSS26	VSS122
AB15	VSS27	VSS123
AB17	VSS28	VSS124
AB19	VSS29	VSS125
AB21	VSS30	VSS126
AB23	VSS31	VSS127
AB26	VSS32	VSS128
AC2	VSS33	VSS129
AC5	VSS34	VSS130
AC8	VSS35	VSS131
AC10	VSS36	VSS132
AC12	VSS37	VSS133
AC14	VSS38	VSS134
AC16	VSS39	VSS135
AC18	VSS40	VSS136
AC21	VSS41	VSS137
AD1	VSS42	VSS138
AD4	VSS43	VSS139
AD7	VSS44	VSS140
AD9	VSS45	VSS141
AD11	VSS46	VSS142
AD13	VSS47	VSS143
AD15	VSS48	VSS144
AD17	VSS49	VSS145
AD19	VSS50	VSS146
AD22	VSS51	VSS147
AE3	VSS52	VSS148
AE5	VSS53	VSS149
AE6	VSS54	VSS150
AE8	VSS55	VSS151
AE10	VSS56	VSS152
AE12	VSS57	VSS153
AE14	VSS58	VSS154
AE16	VSS59	VSS155
AE18	VSS60	VSS156
AE20	VSS61	VSS157
AE23	VSS62	VSS158
AE26	VSS63	VSS159
AE2	VSS64	VSS160
AE5	VSS65	VSS161
AF9	VSS66	VSS162
AF11	VSS67	VSS163
AF13	VSS68	VSS164
AF15	VSS69	VSS165
AF17	VSS70	VSS166
AF19	VSS71	VSS167
AF21	VSS72	VSS168
AF24	VSS73	VSS169
B3	VSS74	VSS170
B6	VSS75	VSS171
B9	VSS76	VSS172
B12	VSS77	VSS173
B16	VSS78	VSS174
B19	VSS79	VSS175
B22	VSS80	VSS176
B25	VSS81	VSS177
C1	VSS82	VSS178
C4	VSS83	VSS179
C7	VSS84	VSS180
C10	VSS85	VSS181
C13	VSS86	VSS182
C15	VSS87	VSS183
C18	VSS88	VSS184
C21	VSS89	VSS185
C24	VSS90	VSS186
D2	VSS91	VSS187
D5	VSS92	VSS188
D7	VSS93	VSS189
D9	VSS94	VSS190
D11	VSS95	VSS191
D13	VSS96	VSS192



Title		
BT4		
Size	Document Number	Rev
Custom	DOTHAN (2/2)	1A
Date:	Tuesday, September 07, 2004	Sheet 5 of 37





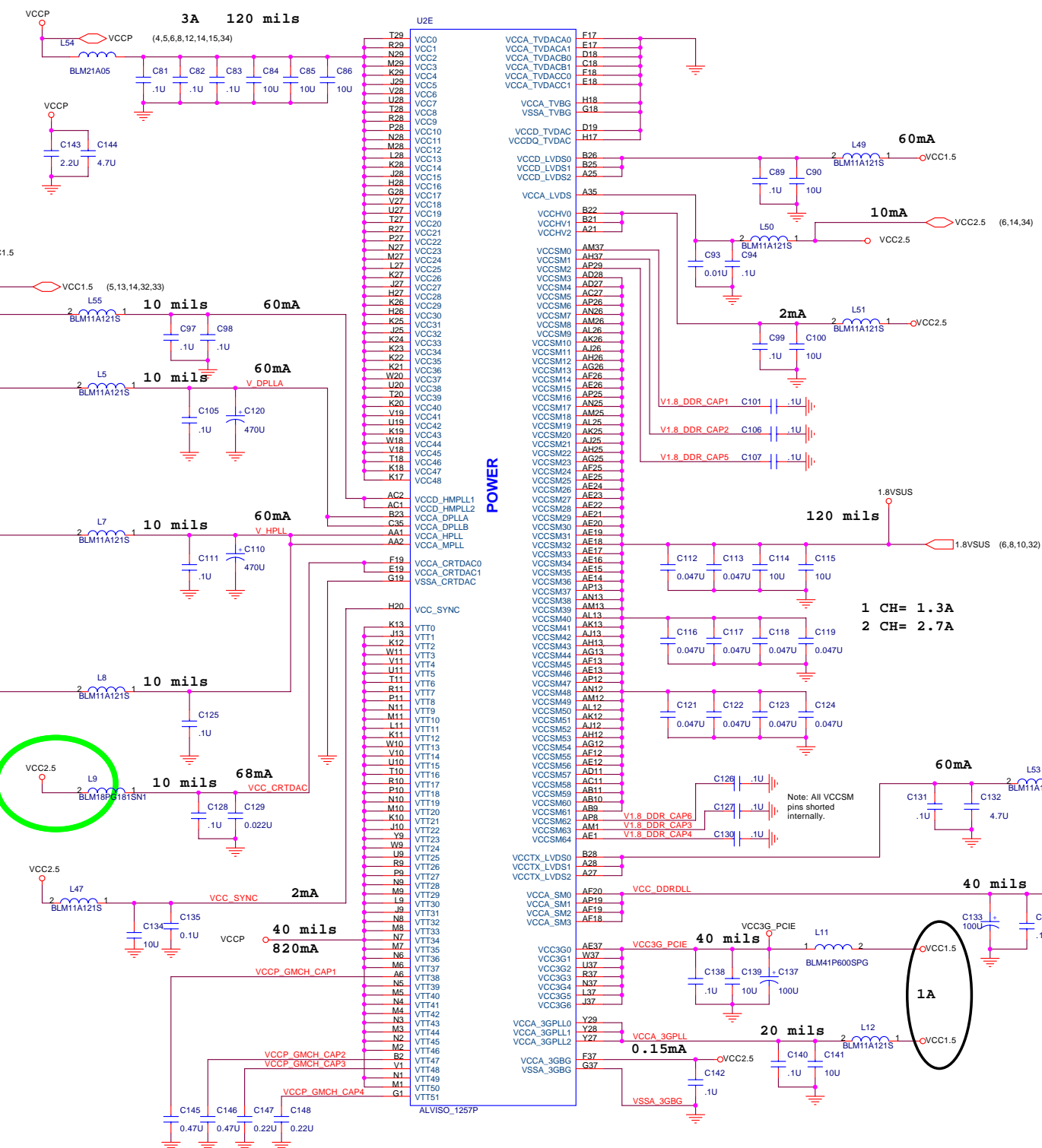


QUANTA COMPUTER

File: BT4

Size: C Document Number: Alviso (3/4)

Date: Tuesday, September 07, 2004 Sheet: 8 of 37

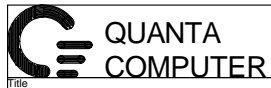


POWER

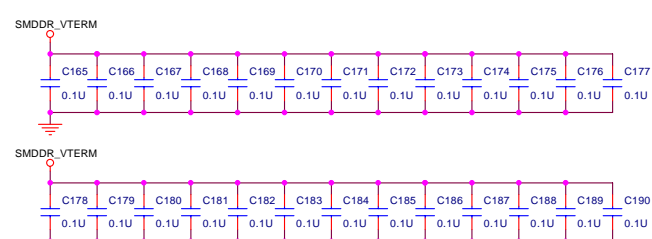
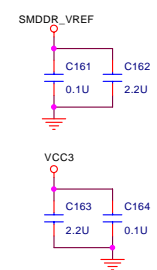
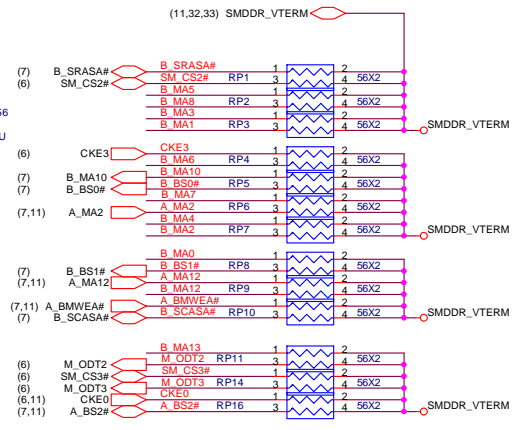
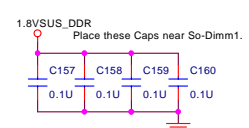
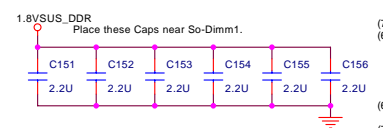
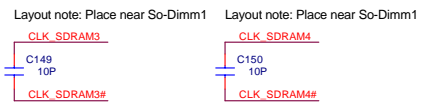
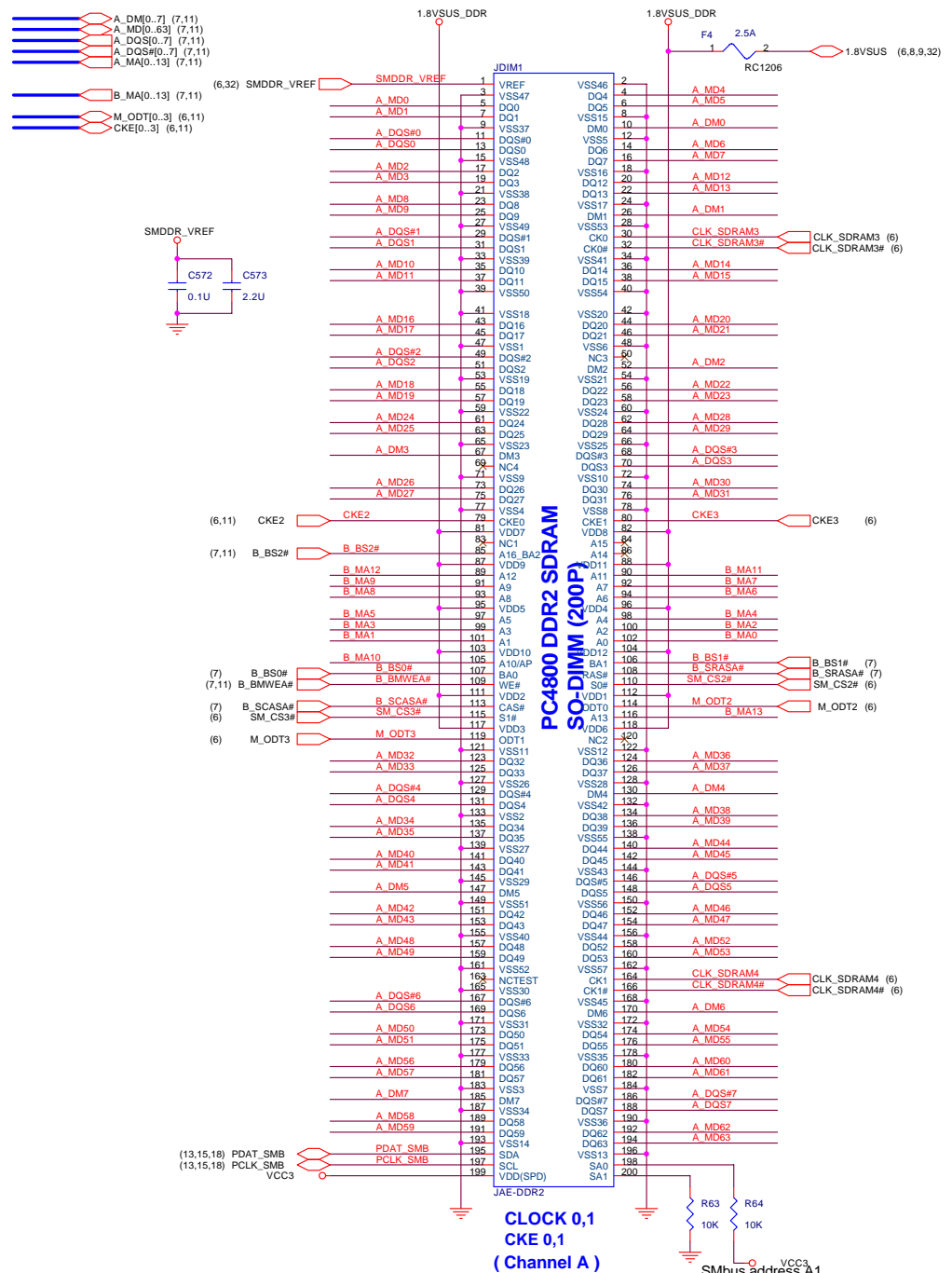
Note: All VCCSM pins shorted internally.

1 CH= 1.3A
2 CH= 2.7A

1A



Title		
BT4		
Size	Document Number	Rev
Custom	Alviso (4/4)	1A
Date:	Tuesday, September 07, 2004	Sheet 9 of 37



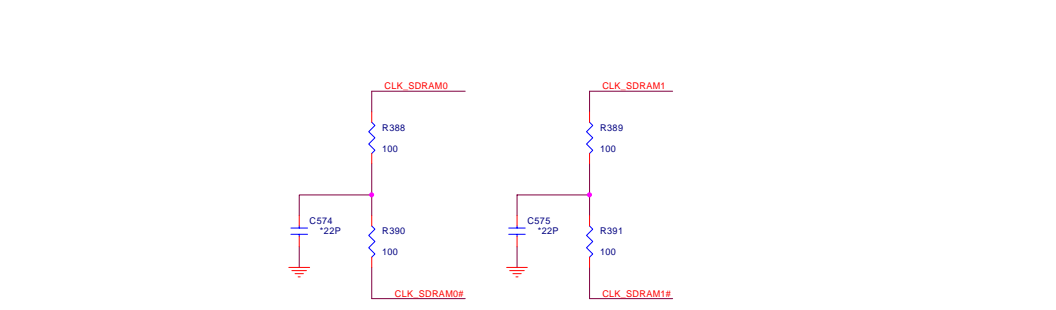
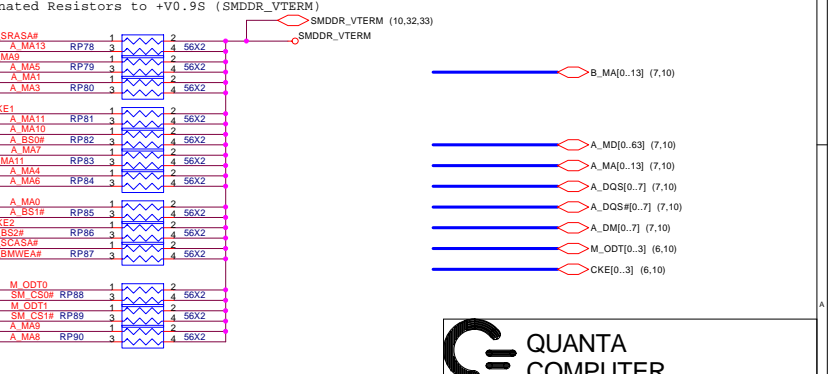
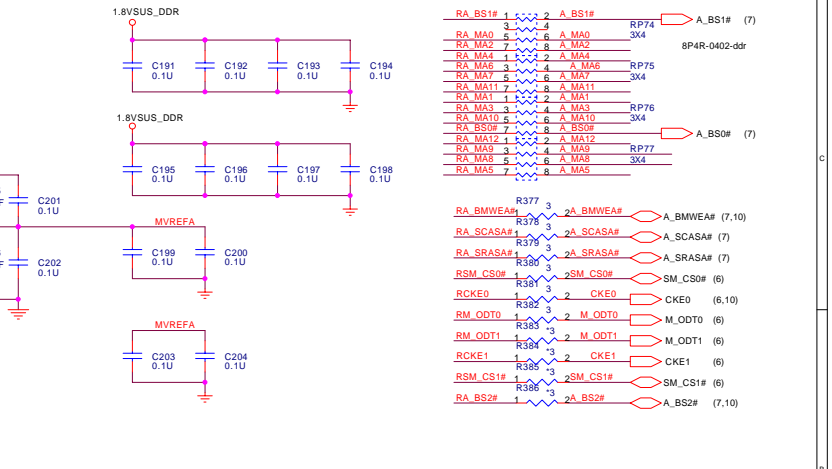
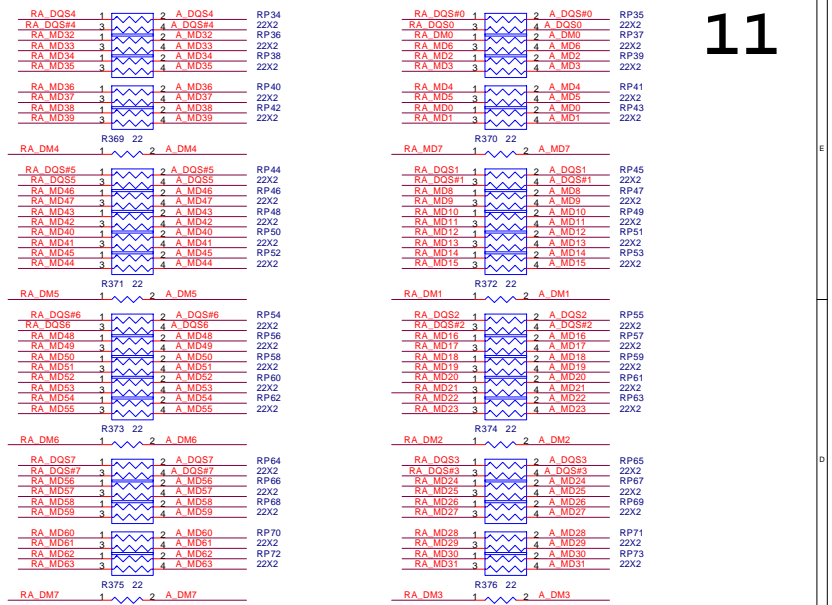
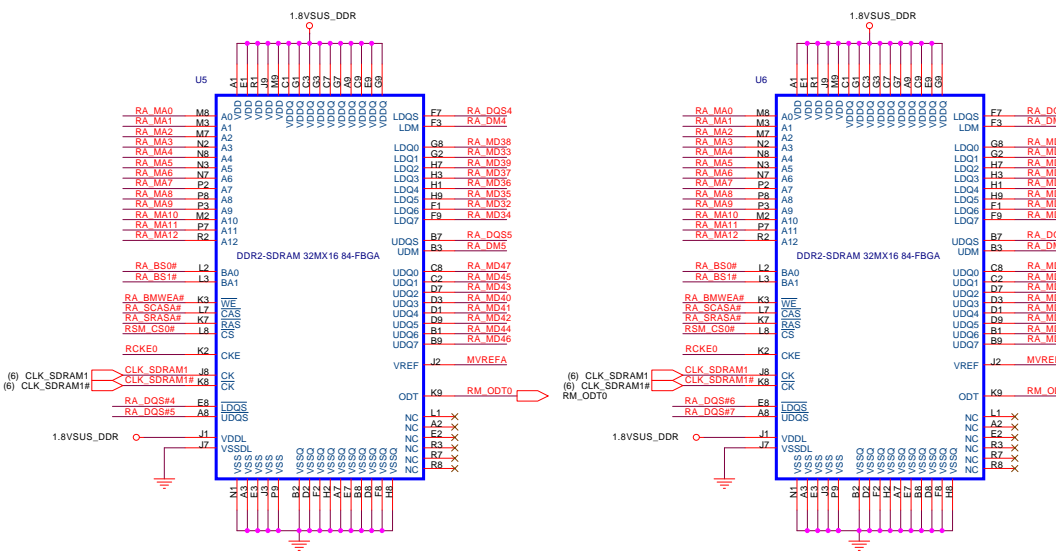
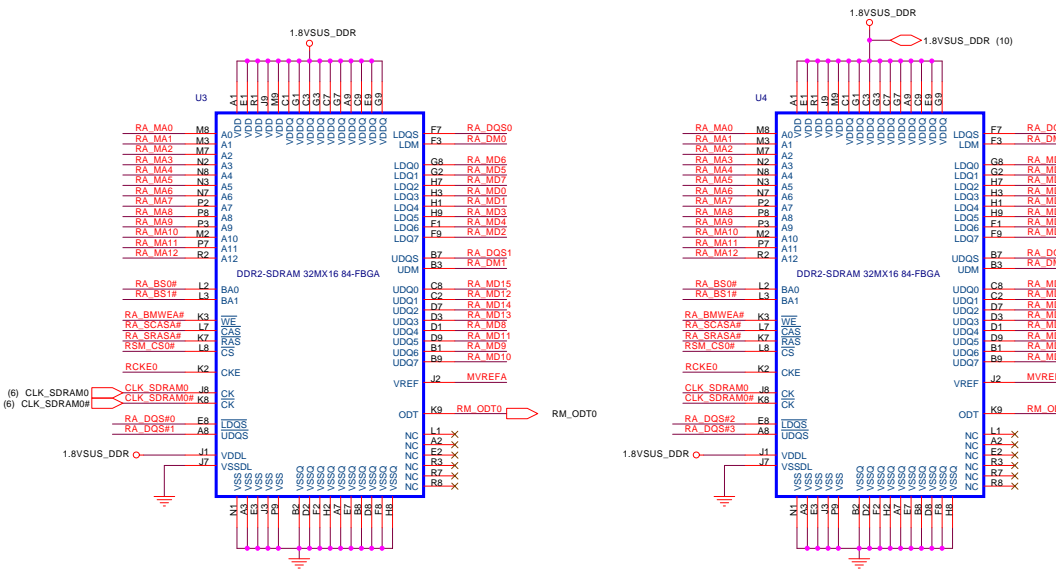
Layout note: Place one cap close to every 2 pullup resistors terminated to SMDRR_VTERM

QUANTA COMPUTER

Title: **DDR II**

Size: Custom Document Number: **TOPAZ** Rev: 1A

Date: Tuesday, September 07, 2004 Sheet: 10 of 37

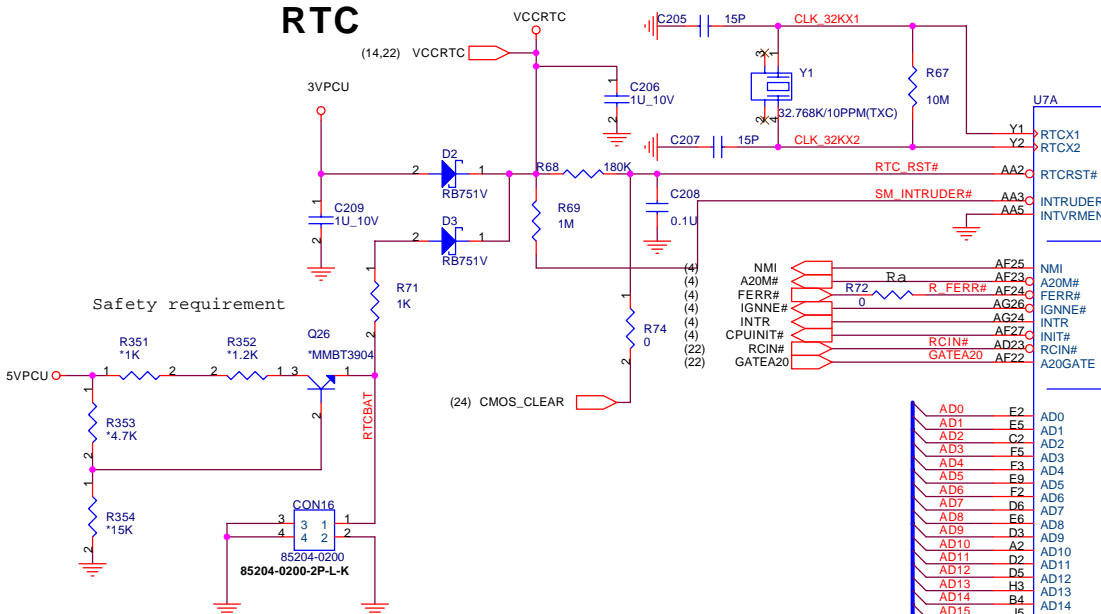


QUANTA COMPUTER

Title: BT4
 Document Number: DDR II ON BOARD MEMORY
 Date: Tuesday, September 07, 2004 Sheet 11 of 37

	Ra	Rb
For Doathan A-X step	56	*0
For Doathan B-X step & later	0	0

RTC



U7A

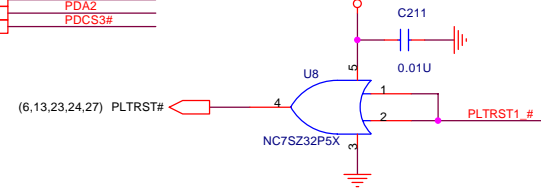
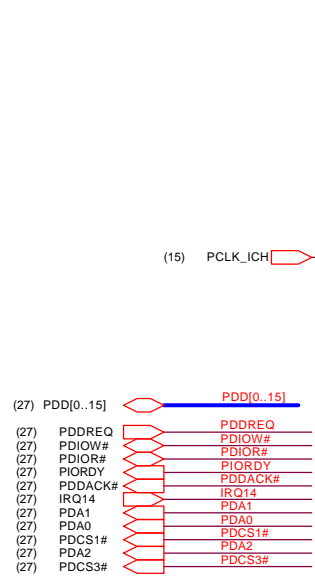
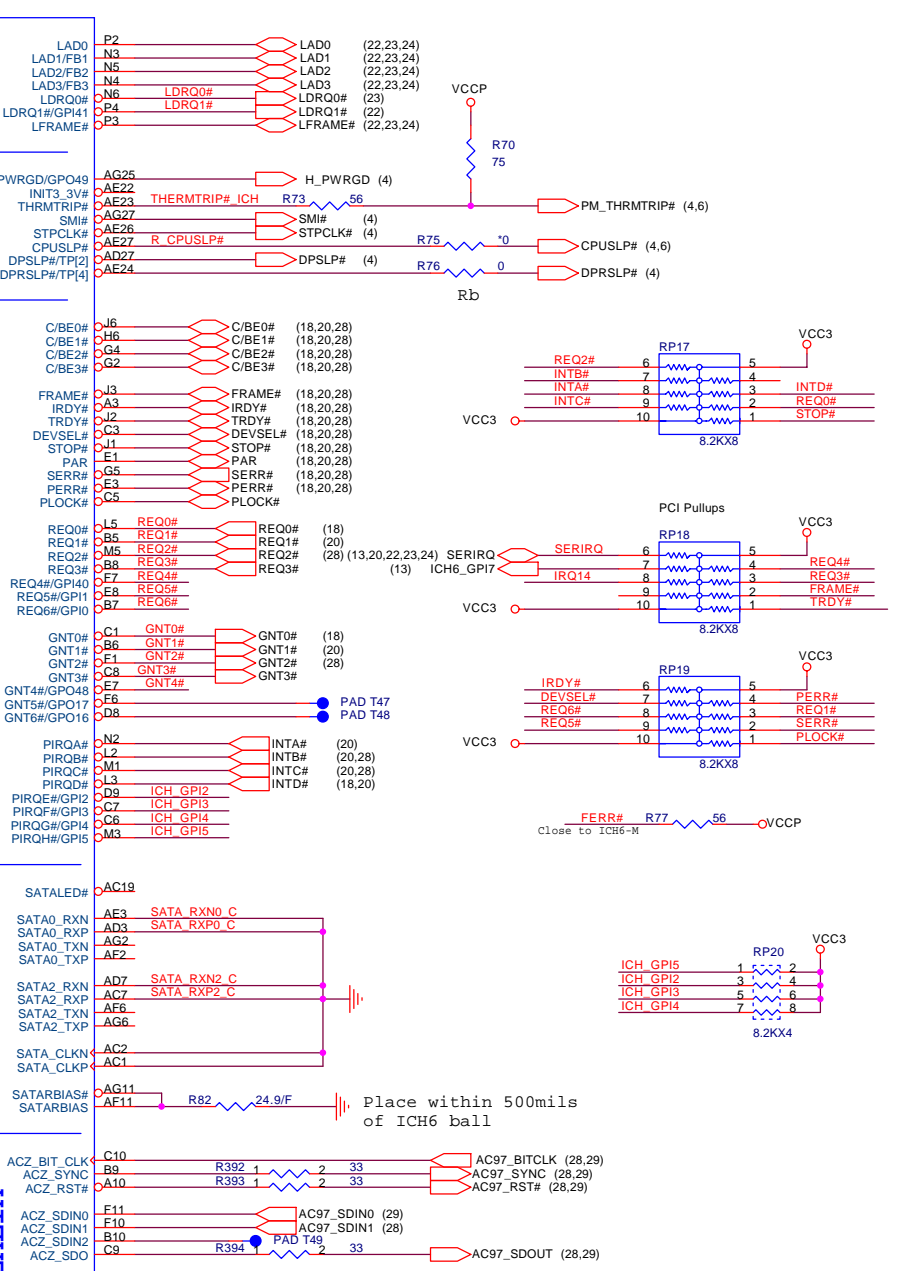
RTC
LPC

CPU

PCI

IDE

AC-97 / AZALIA

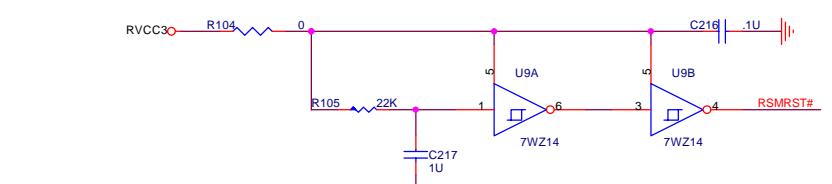
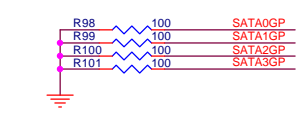
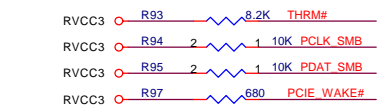
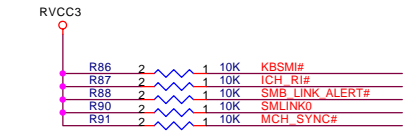
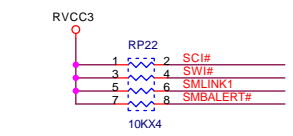
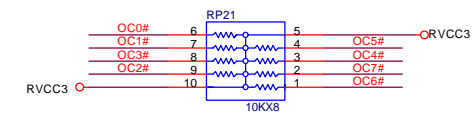
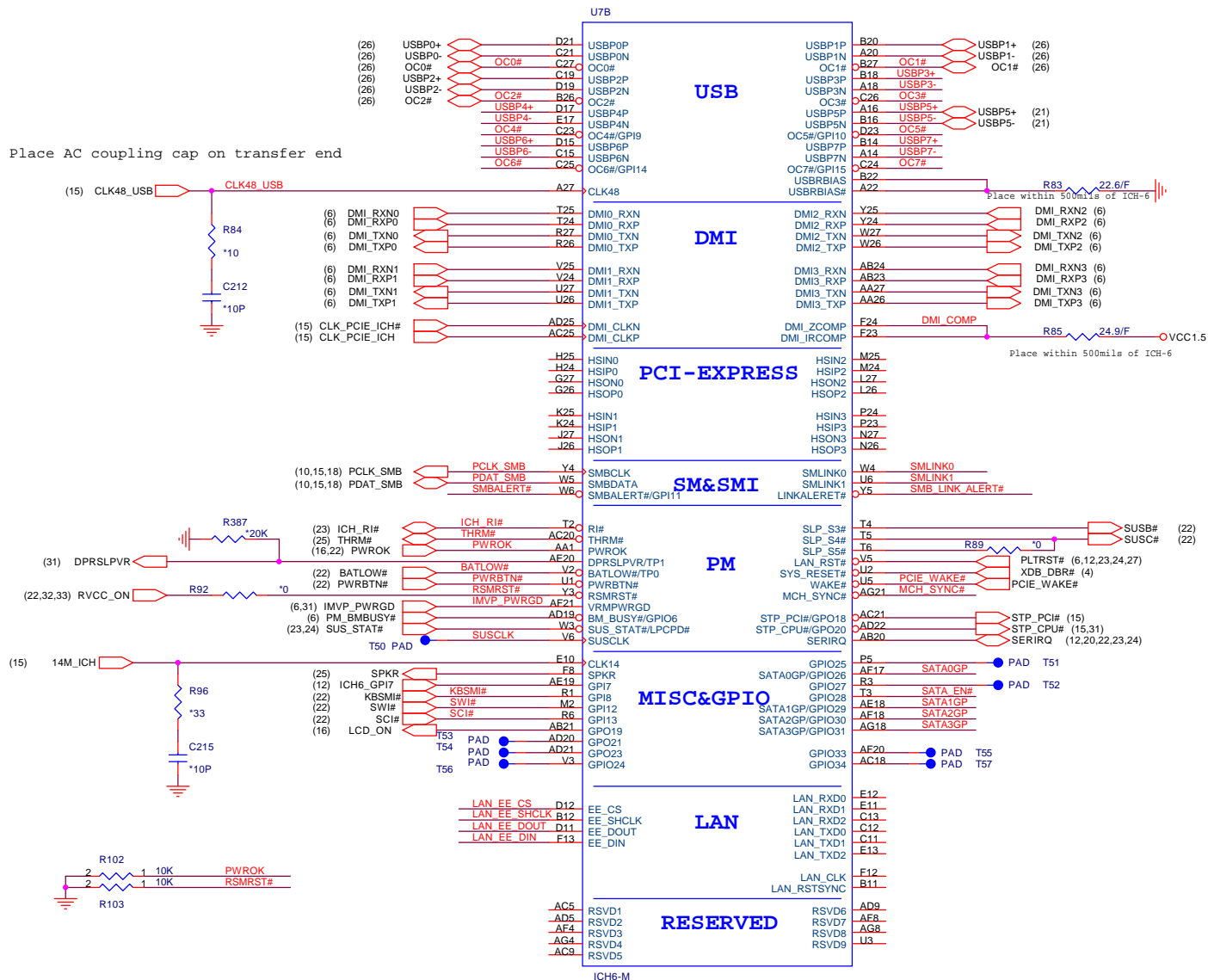


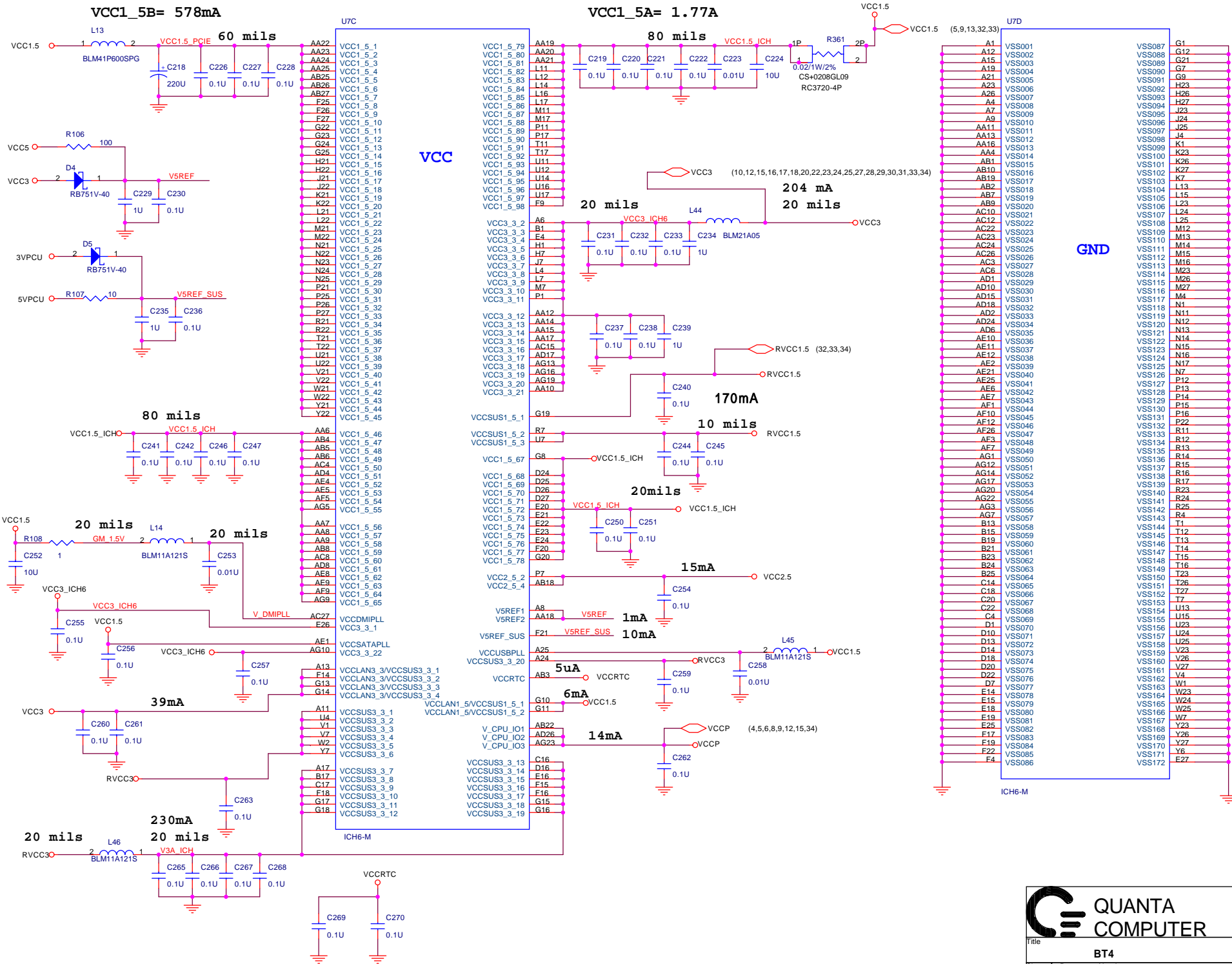
QUANTA COMPUTER

Title: BT4

Size: A3 Document Number: ICH6-M (1/3) Rev: 1A

Date: Tuesday, September 07, 2004 Sheet: 12 of 37



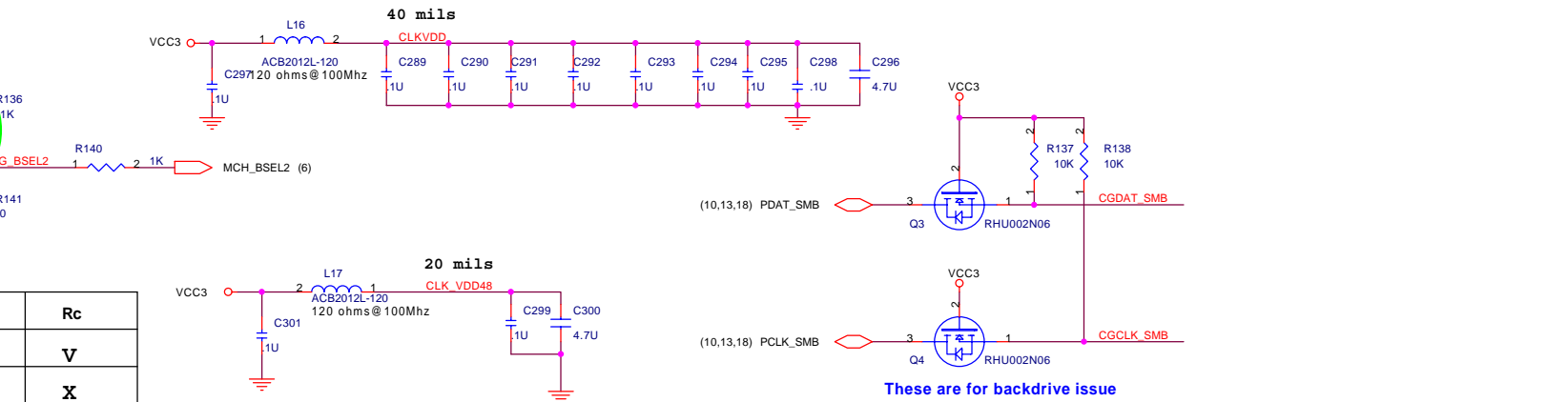
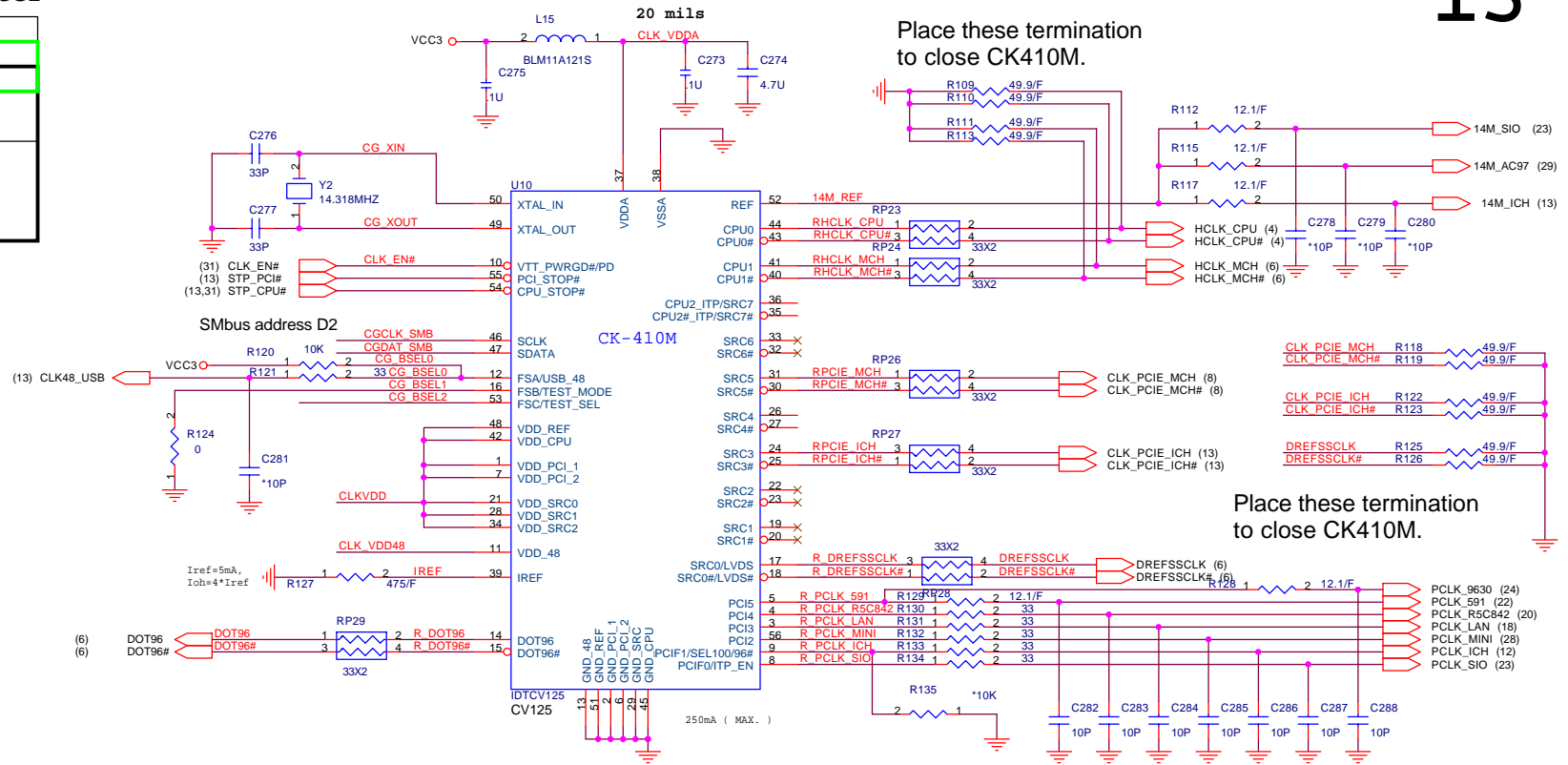


Dothan B-X step and later

FSC	FSB	FSA	CPU	SRC	PCI
1	0	1	100	100	33
0	0	1	133	100	33
0	1	1	166	100	33
0	1	0	200	100	33
0	0	0	266	100	33
1	0	0	333	100	33
1	1	0	400	100	33
1	1	1	RESERVED		

Dothan A-X step

FSC	Host Freqence
0	100
1	133 Default



CPU Type	Ra	Rb	Rc
Dothan-A PSB400	X	X	V
Dothan-A PSB533	X	V	X
Dothan-B and later	V	V	X

QUANTA COMPUTER

Title: **BT4**

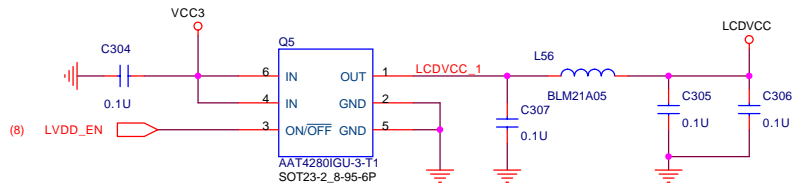
Size: Document Number
Custom: **Clock Generator**

Date: Tuesday, September 07, 2004

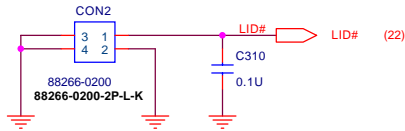
Sheet: 15 of 37

Rev: 1A

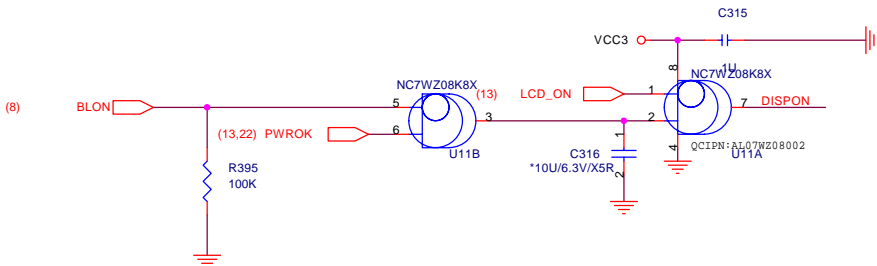
PANEL VCC CONTROL



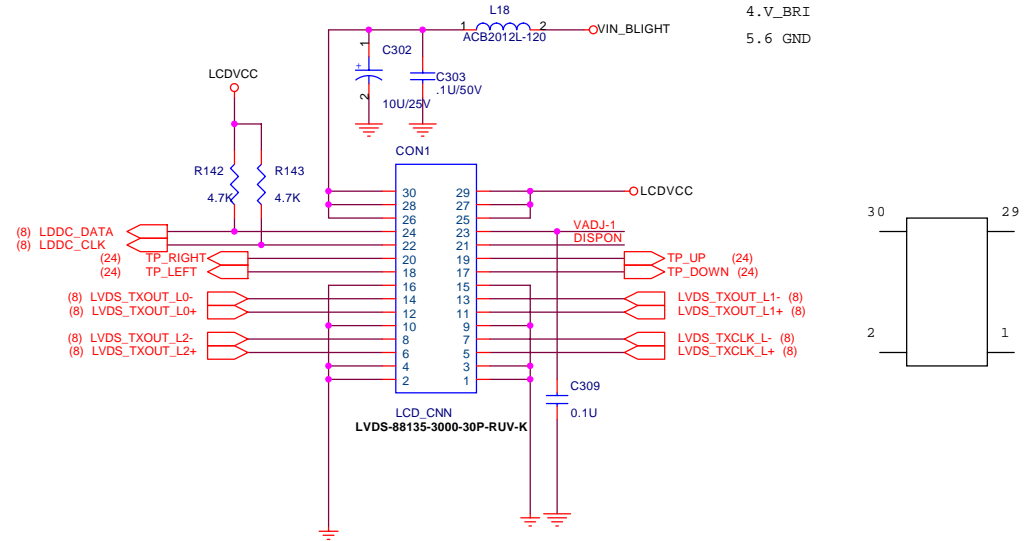
LID



BACKLIGHT CONTROL

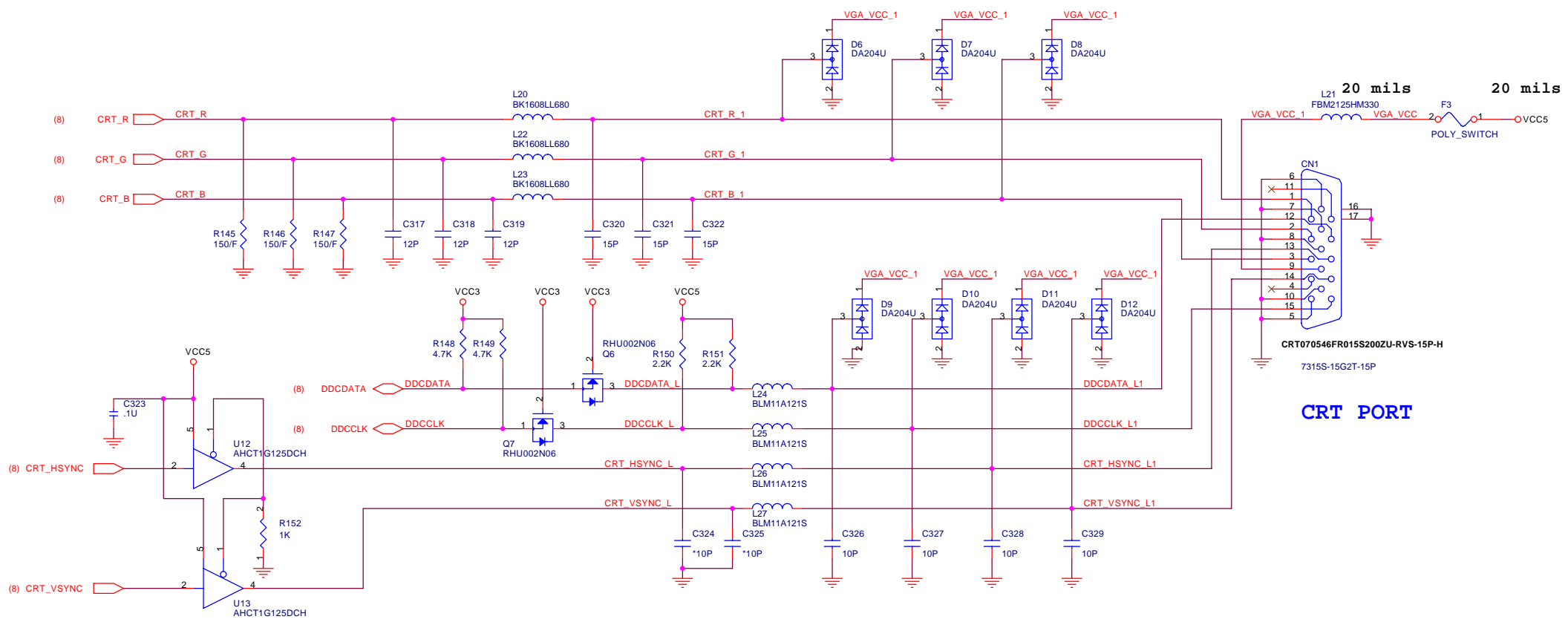


LCD CONNECTOR

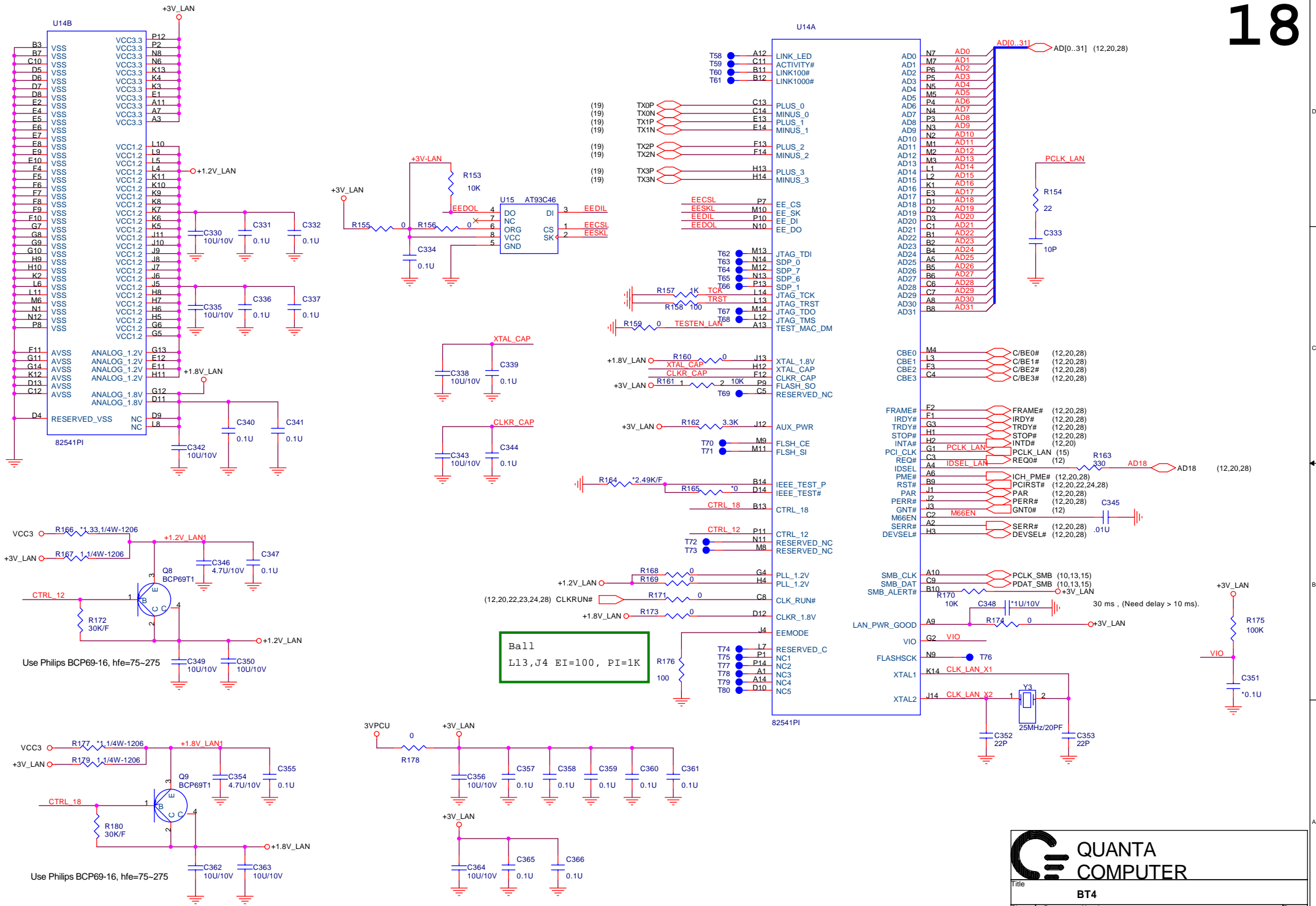


- Inverter Pin define:
- 1.2 Vin
 - 3.DISPON
 - 4.V_BRI
 - 5.6 GND





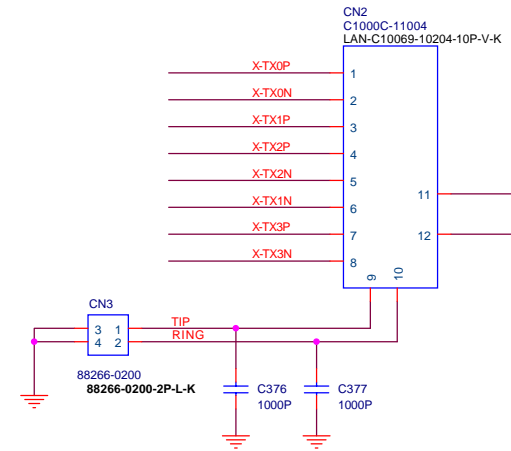
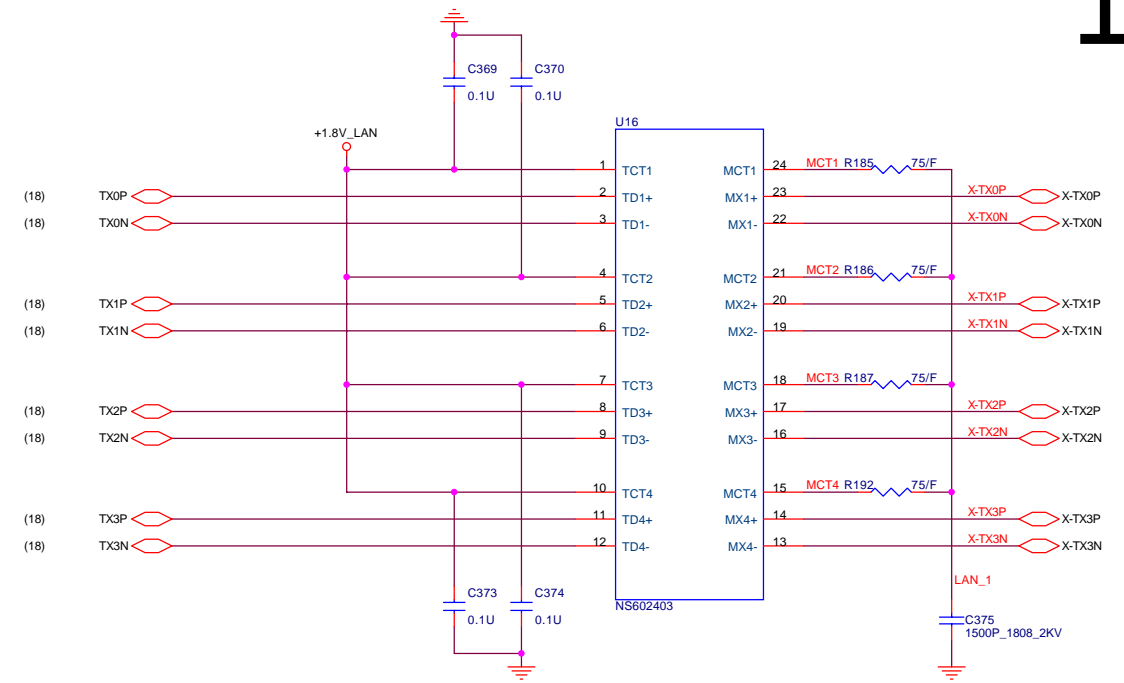
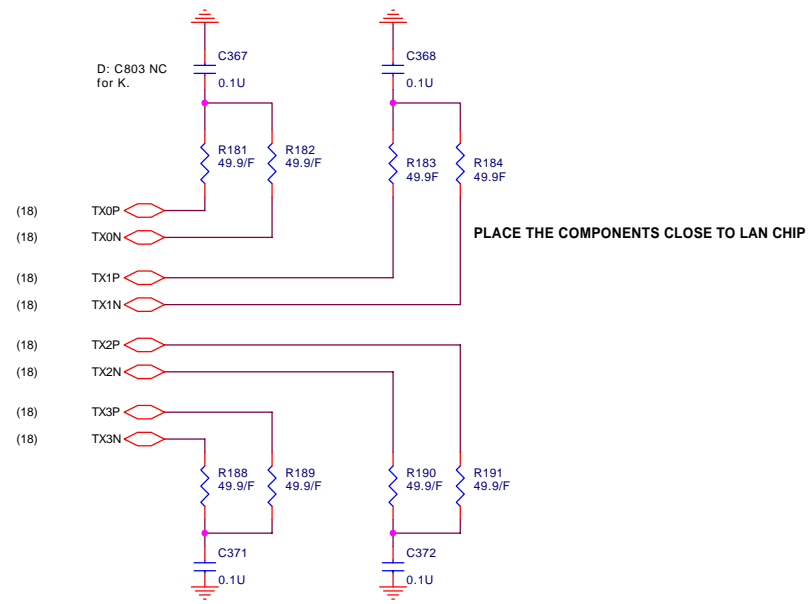
CRT PORT



QUANTA COMPUTER

Title: **BT4**

Size: A3	Document Number: LAN	Rev: 1A
Date: Tuesday, September 07, 2004	Sheet: 18 of 37	

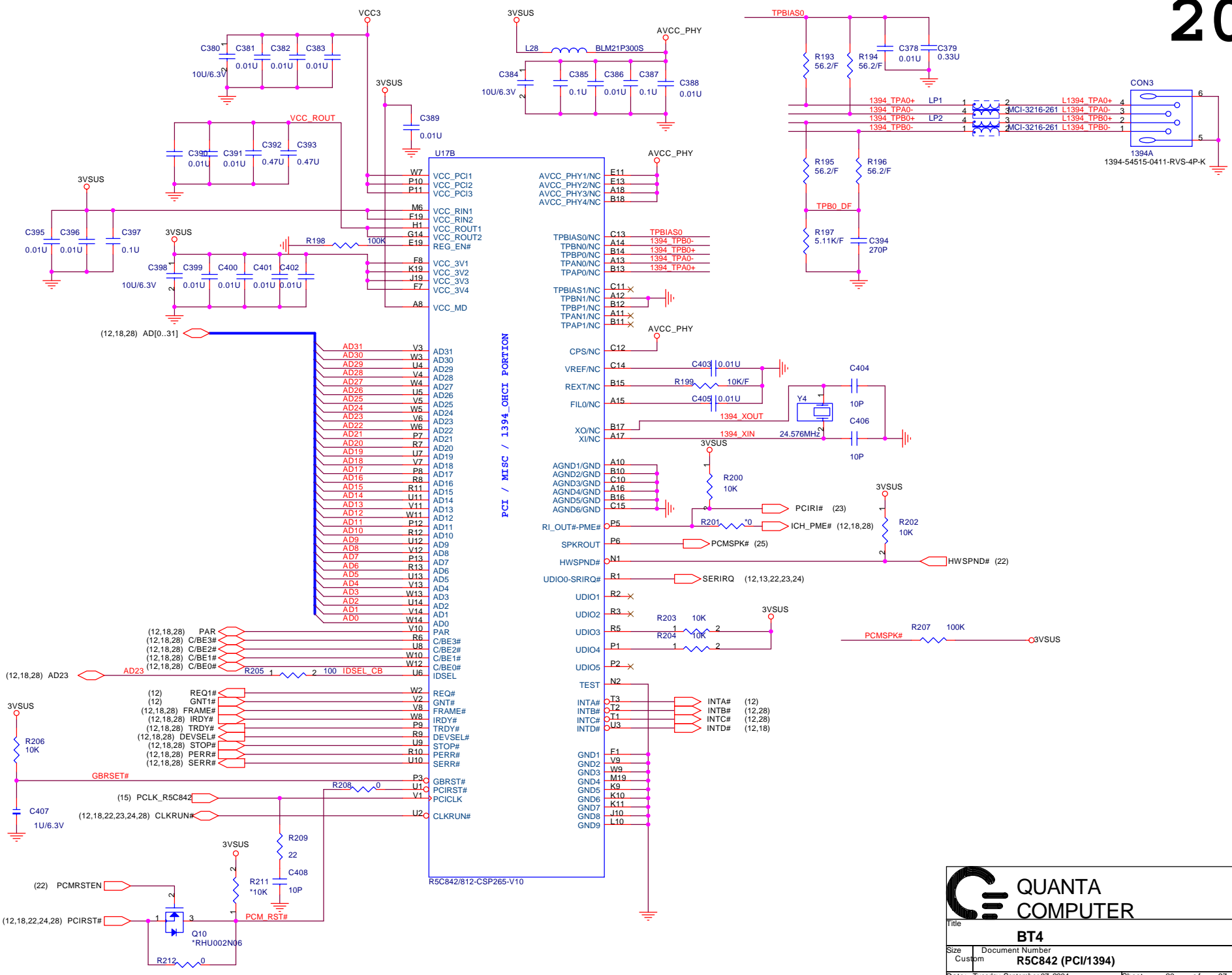


QUANTA
COMPUTER

Title: BT4

Size: A3 Document Number: LAN Transformer Rev 1A

Date: Tuesday, September 07, 2004 Sheet 19 of 37



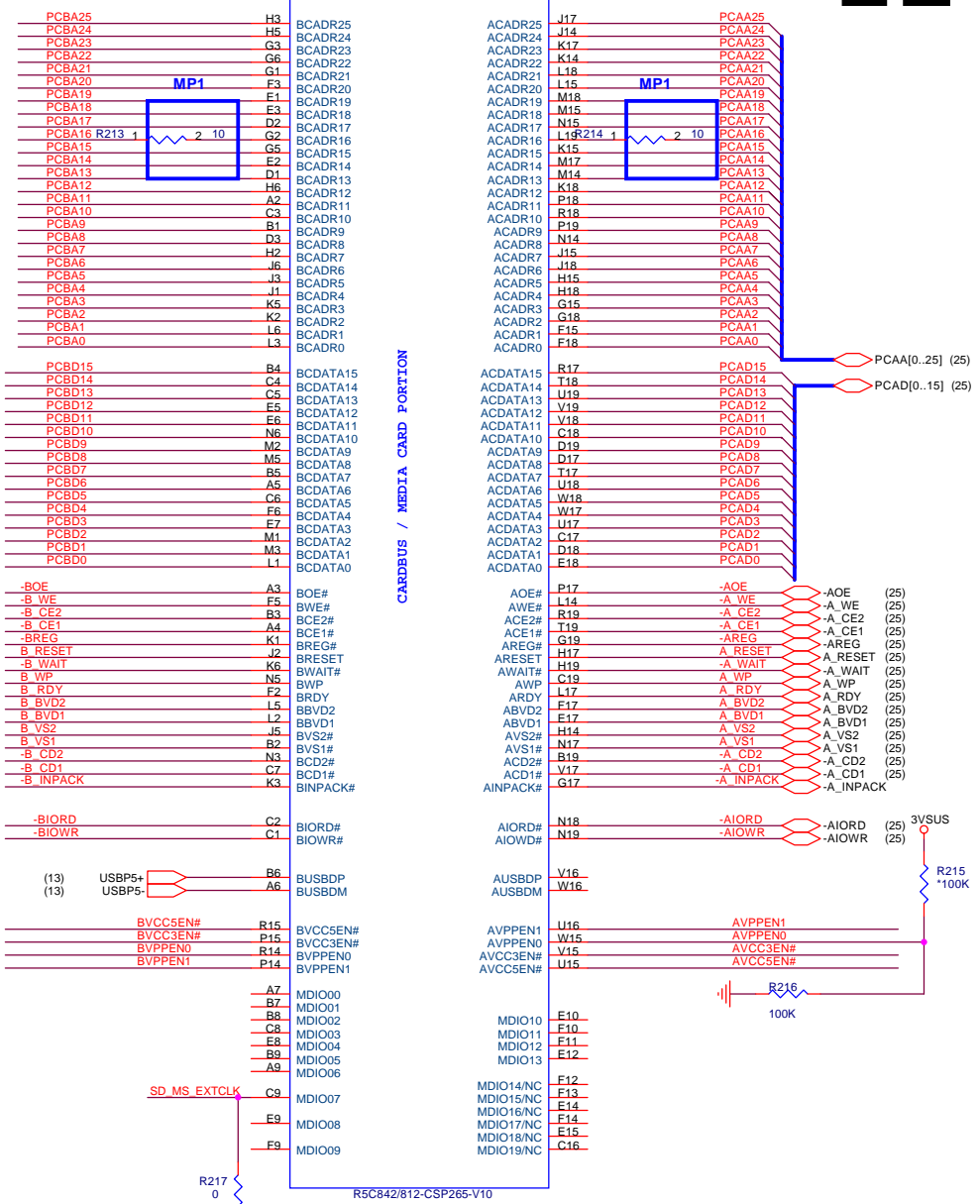
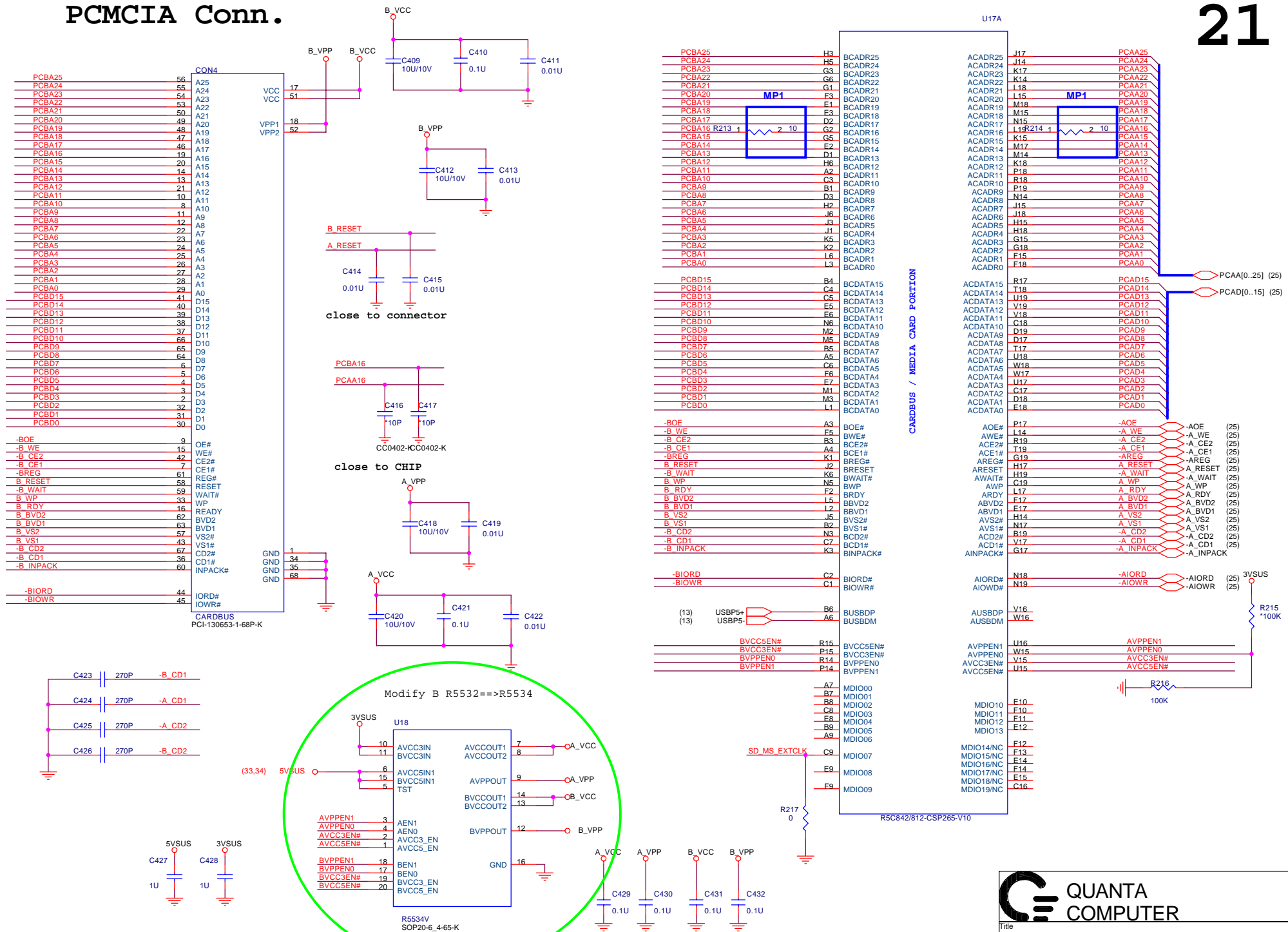
QUANTA COMPUTER

Title: **BT4**

Size: Custom Document Number: **R5C842 (PCI/1394)** Rev 1A

Date: Tuesday, September 07, 2004 Sheet 20 of 37

PCMCIA Conn.

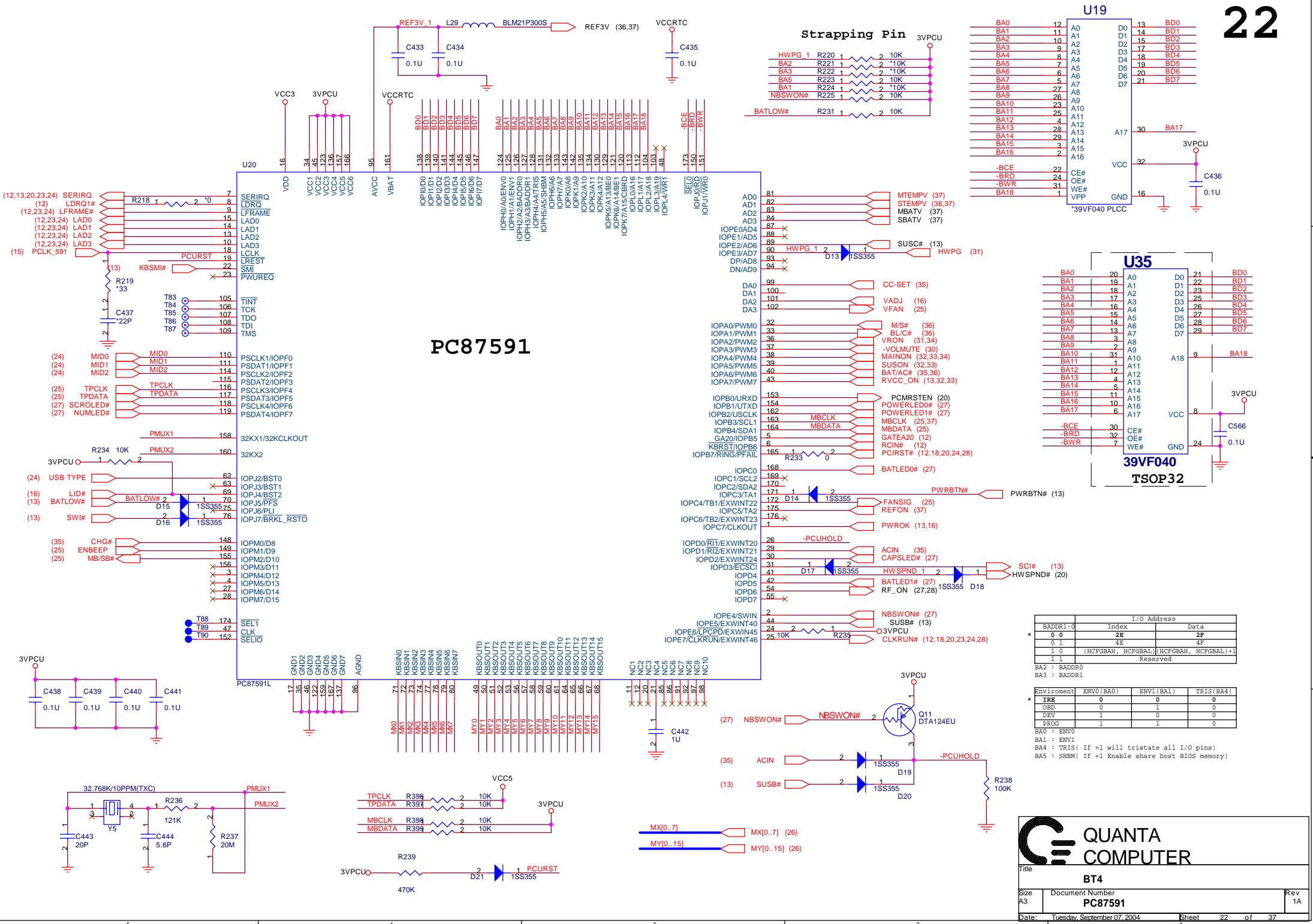


QUANTA COMPUTER

Title: **BT4**

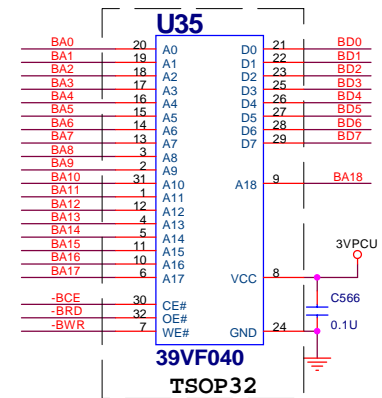
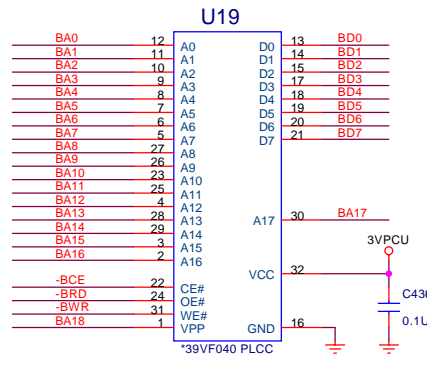
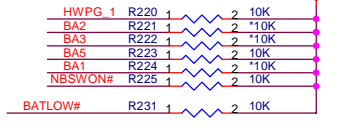
Size: Document Number
 Custom: **R5C842 (CardBus/Media)** Rev 1A

Date: Tuesday, September 07, 2004 Sheet 21 of 37



PC87591

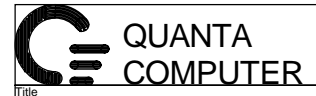
Strapping Pin

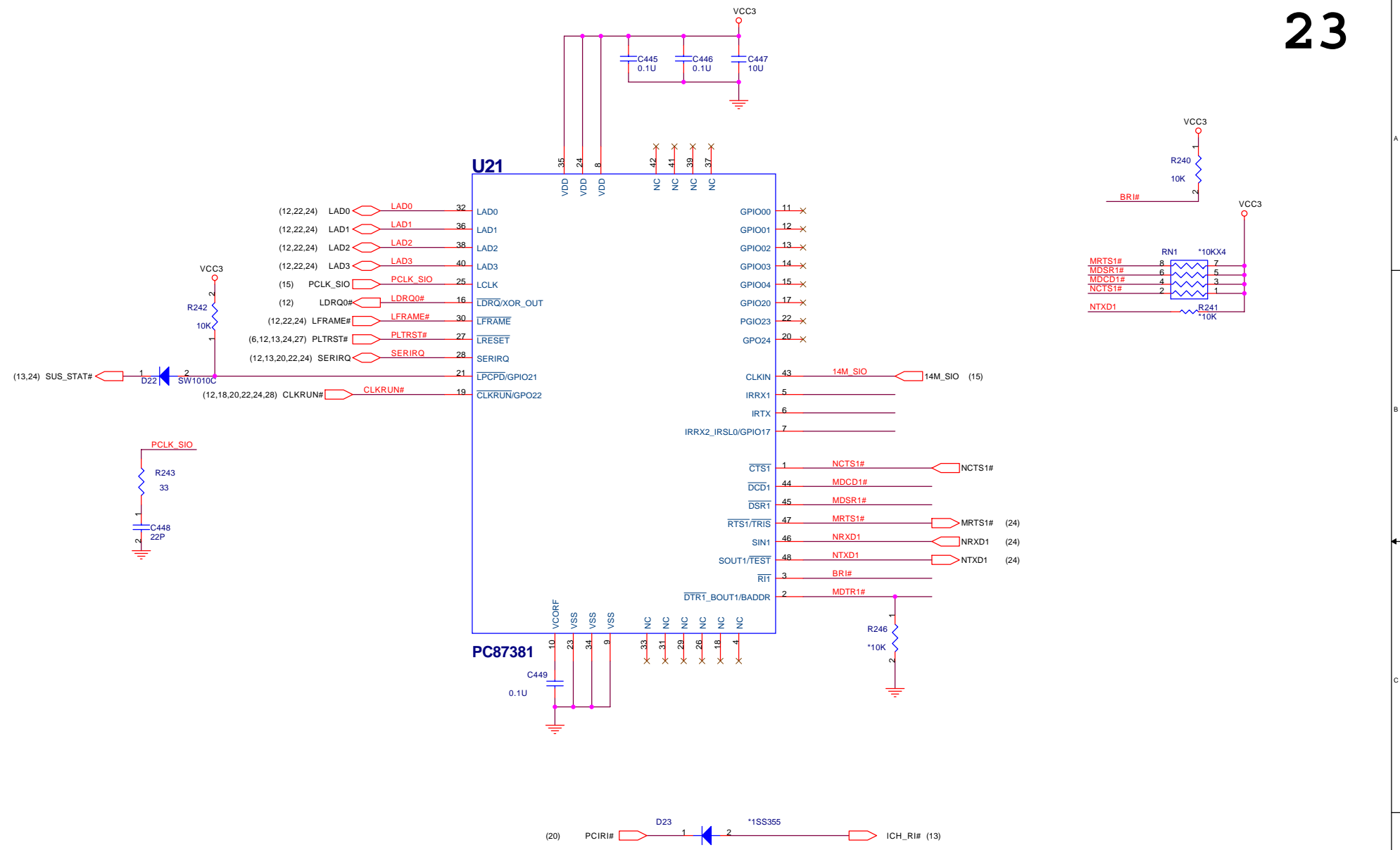


I/O Address		
BADDR1-0	Index	Data
0 0	2E	2F
0 1	4E	4F
1 0	{HCFGBAH, HCFGBAL}	{HCFGBAH, HCFGBAL}+1
1 1		Reserved

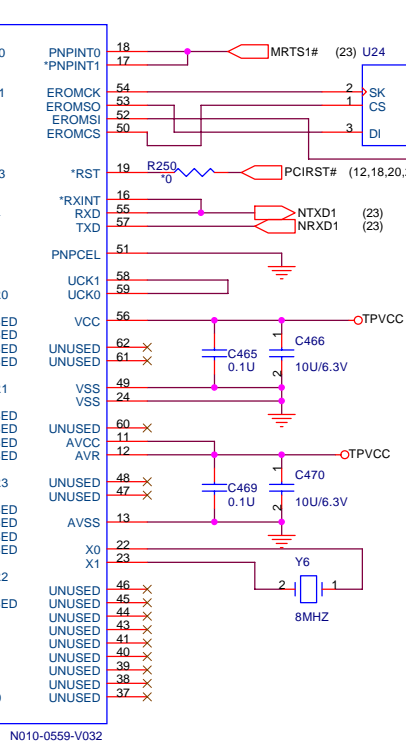
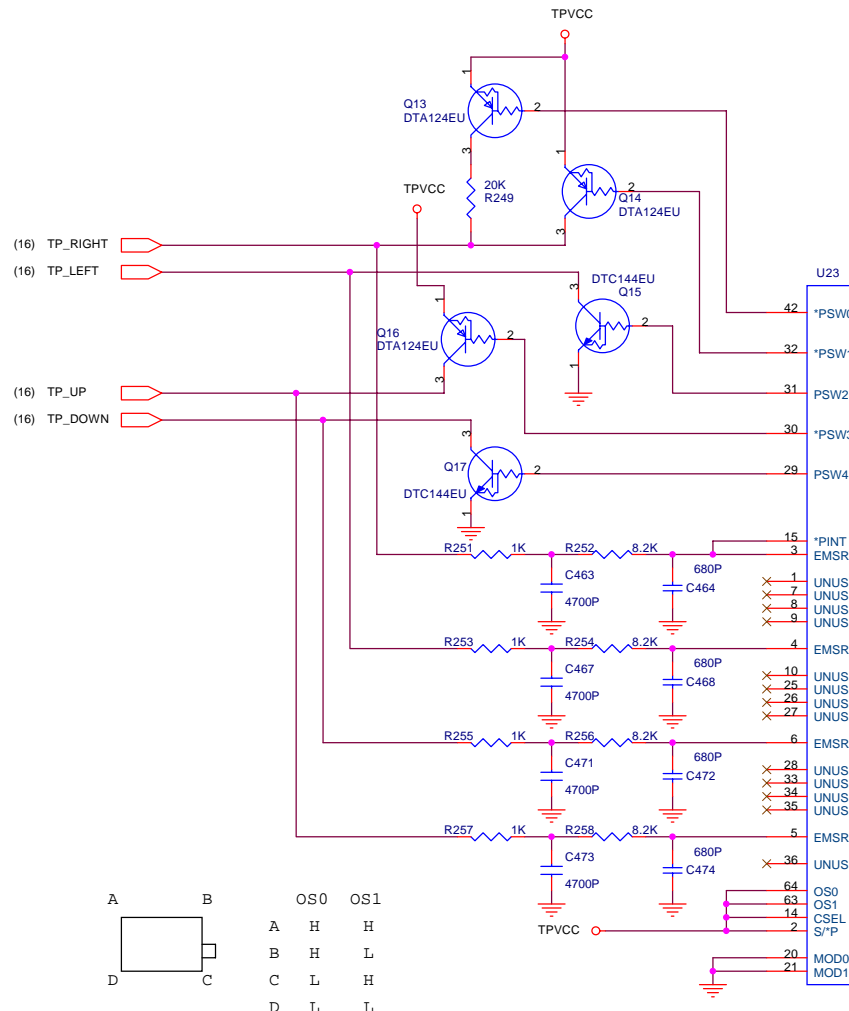
Environment	ENV0 (BA0)	ENV1 (BA1)	TRIS (BA4)
TRF	0	0	0
QBD	0	1	0
DEV	1	0	0
PROG	1	1	0

BA0 : ENV0
 BA1 : ENV1
 BA4 : TRIS(If =1 will tristate all I/O pins)
 BA5 : SHM(If =1 Enable share host BIOS memory)





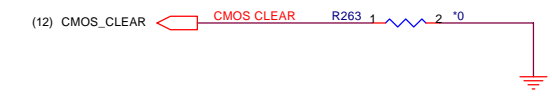
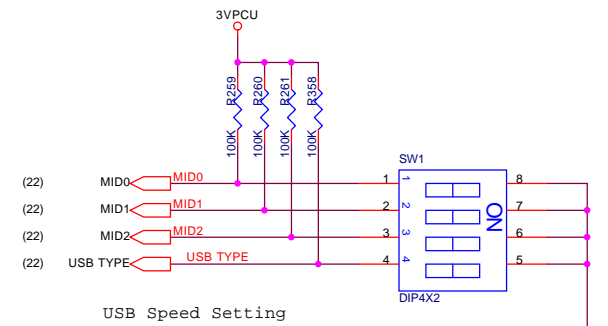
	TYPE_A	TYPE_B	TYPE_C	TYPE_D	TYPE_E
[MID0-2]	010	000	001	011	100
BIOS Setup Menu Langage	JP	English	English	English	English
Key Board	JP	JP	JP	US/Interntionl	Chinese/US/Korea
Touch Panel	N/A	N/A	YES	N/A	N/A
TPM	N/A	disable	disable	N/A	N/A
PC card slot disable function	N/A	YES	YES	N/A	N/A
Boot up sequece	A	A	A	A	B
LCD Brightness setting	8/8	5/8	5/8	5/8	5/8



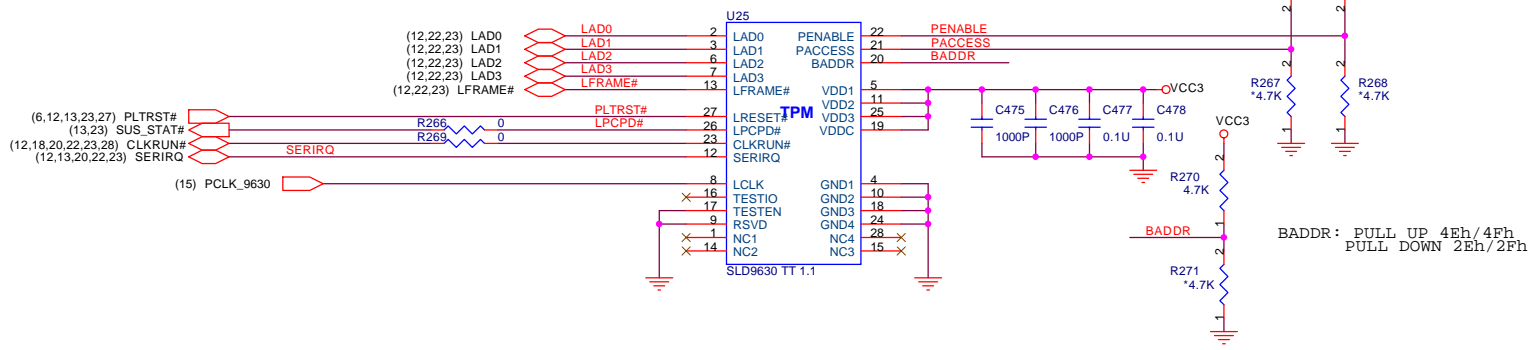
A: 1.USB ODD
2.USB FDD
3.HDD
4.LAN

B: 1.USB ODD
2.USB FDD
3.HDD/3-2.USB Key
4.LAN

000 ; JP Commercial-1 BIOS setting
001 ; JP Commercial-2(T.Panel) BIOS setting
010 ; JP Consumer web model BIOS setting
011 ; HK/China model BIOS setting
100 ; NECCI APAC model BIOS setting



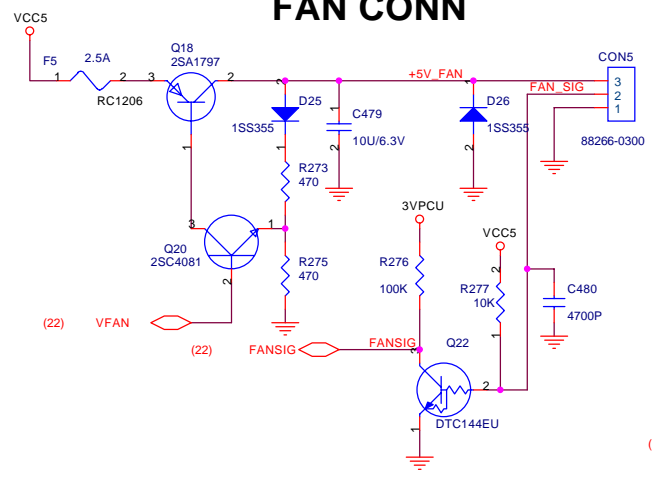
Trusted Platform Module



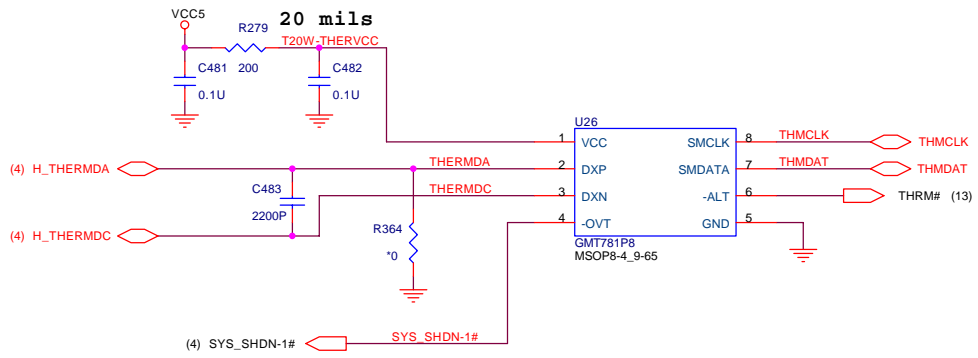
**QUANTA
COMPUTER**

Title		
BT4		
Size	Document Number	Rev
A3	TPM, TOUCH PANEL CONTROLLER	1A
Date:	Tuesday, September 07, 2004	Sheet 24 of 37

FAN CONN

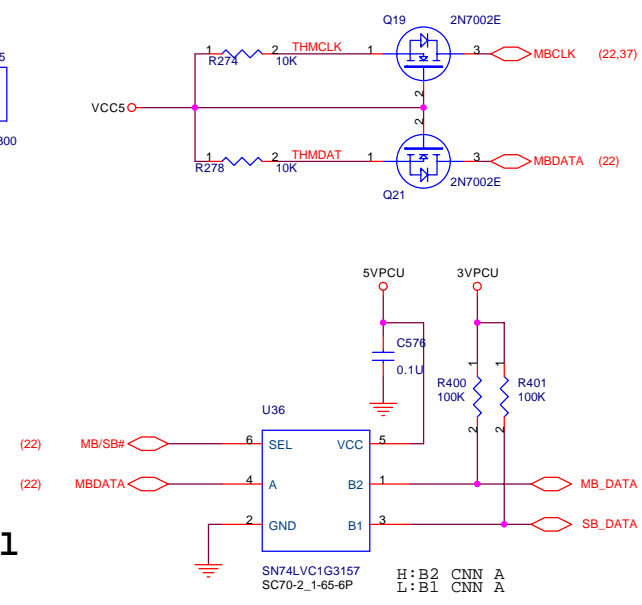
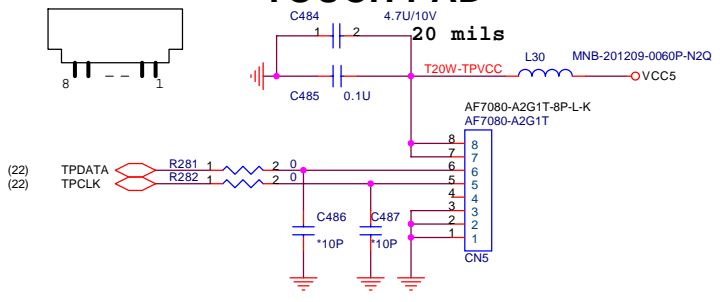


Thermal Control

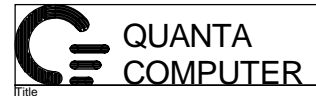
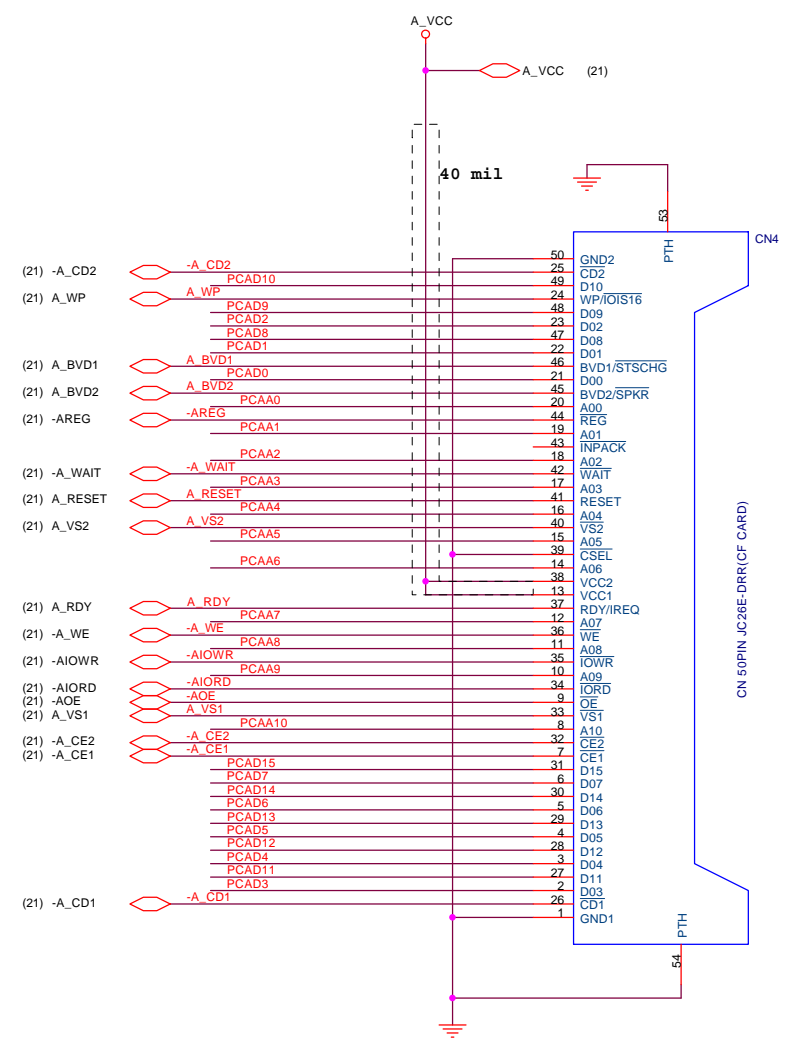


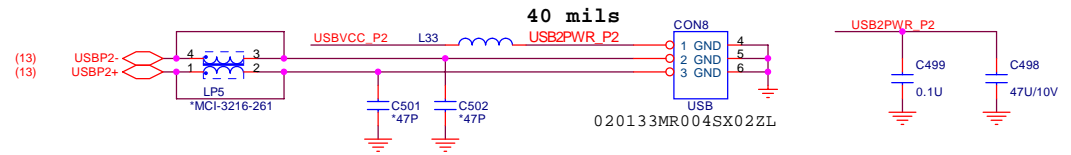
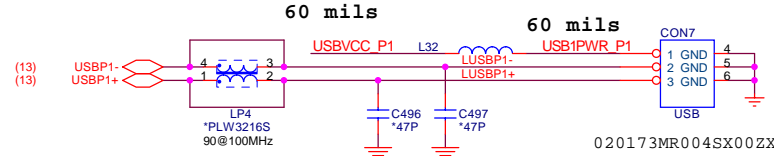
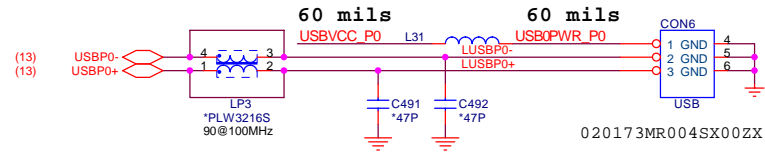
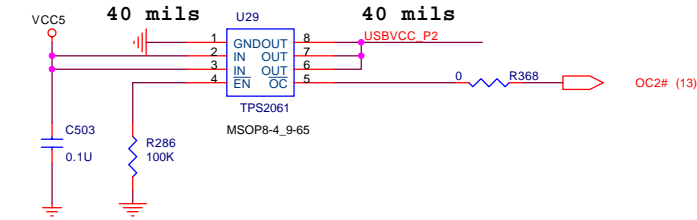
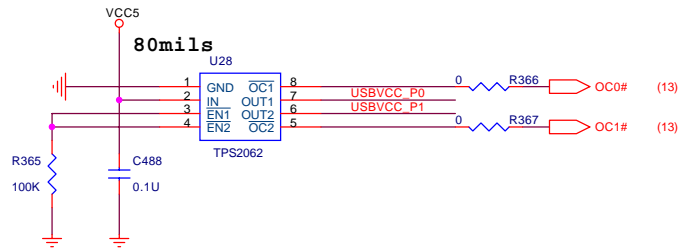
Touch Pad Conn.

TOUCH PAD

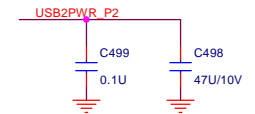
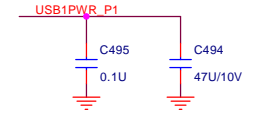
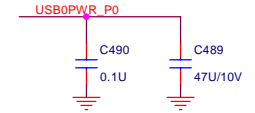


- (21) PCAA[0..25] <-> PCAA[0..25]
- (21) PCAD[0..15] <-> PCAD[0..15]

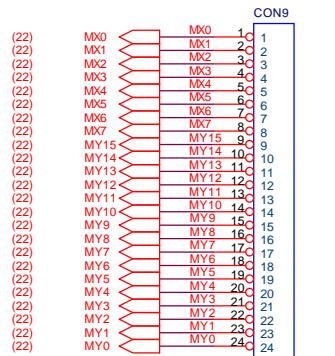
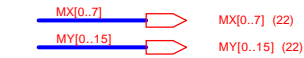
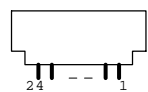




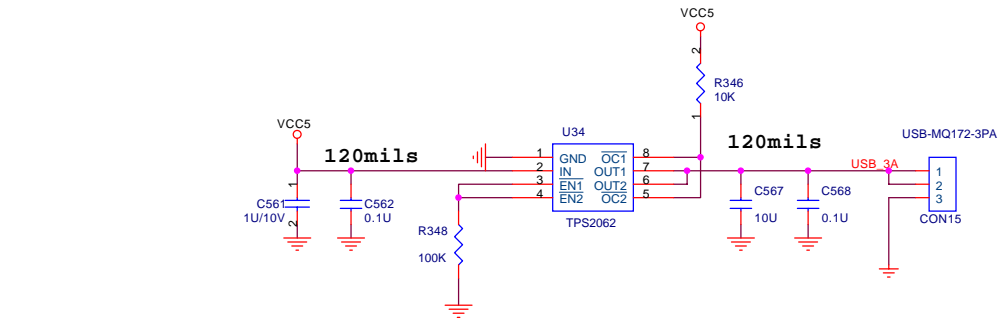
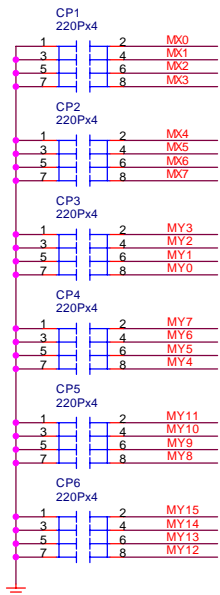
Place near the USB connector



KEYBOARD



AFN240-A2G1T
AF1243-A2G1Z-24P-L-K
















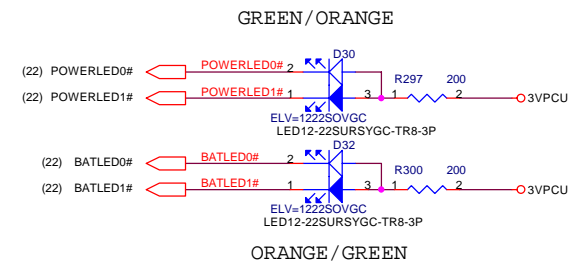
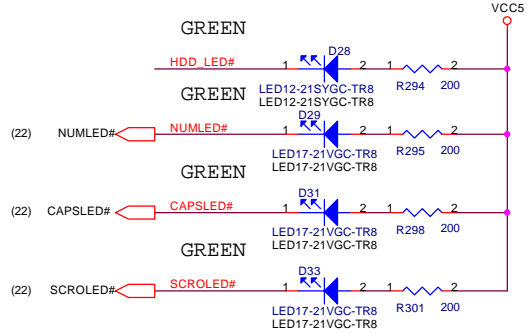
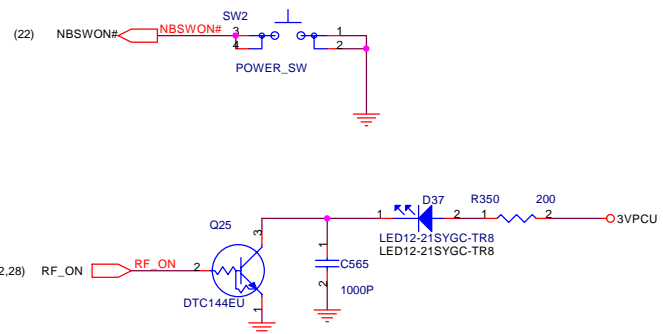
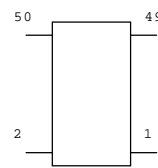
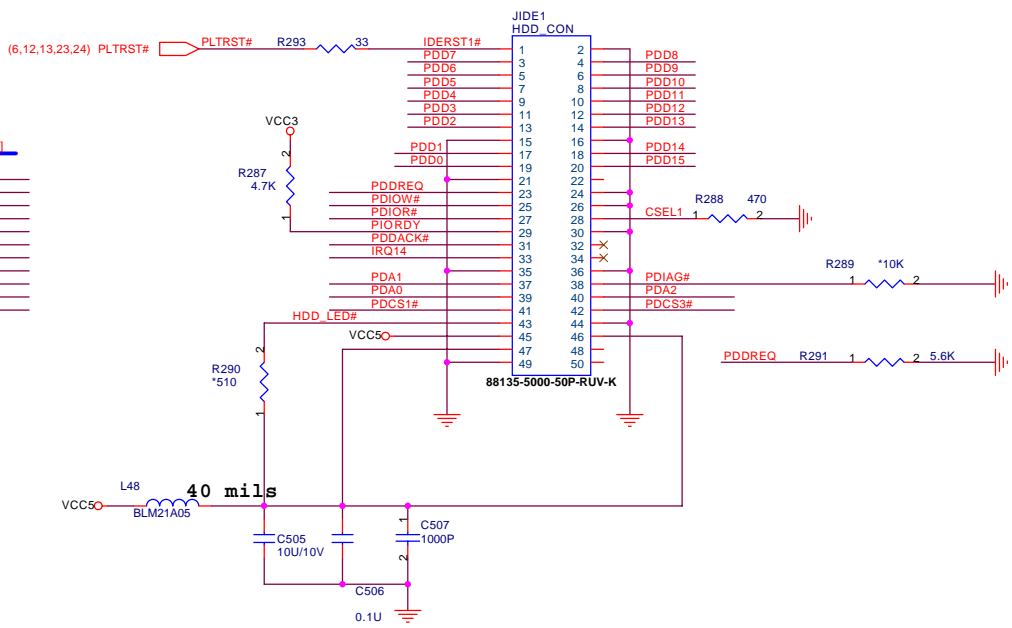
**QUANTA
COMPUTER**


Title: **BT4**

Size: A3	Document Number: KB / USB	Rev: 1A
Date: Tuesday, September 07, 2004		Sheet: 26 of 37

HDD

- (12) PDD[0..15]  PDD[0..15]
- (12) PDDREQ  PDDREQ
- (12) PDIOW#  PDIOW#
- (12) PDIOR#  PDIOR#
- (12) PIORDY  PIORDY
- (12) PDIORDY#  PDIORDY#
- (12) PDDACK#  PDDACK#
- (12) IRQ14  IRQ14
- (12) PDA1  PDA1
- (12) PDA0  PDA0
- (12) PDCS1#  PDCS1#
- (12) PDA2  PDA2
- (12) PDCS3#  PDCS3#




QUANTA
COMPUTER

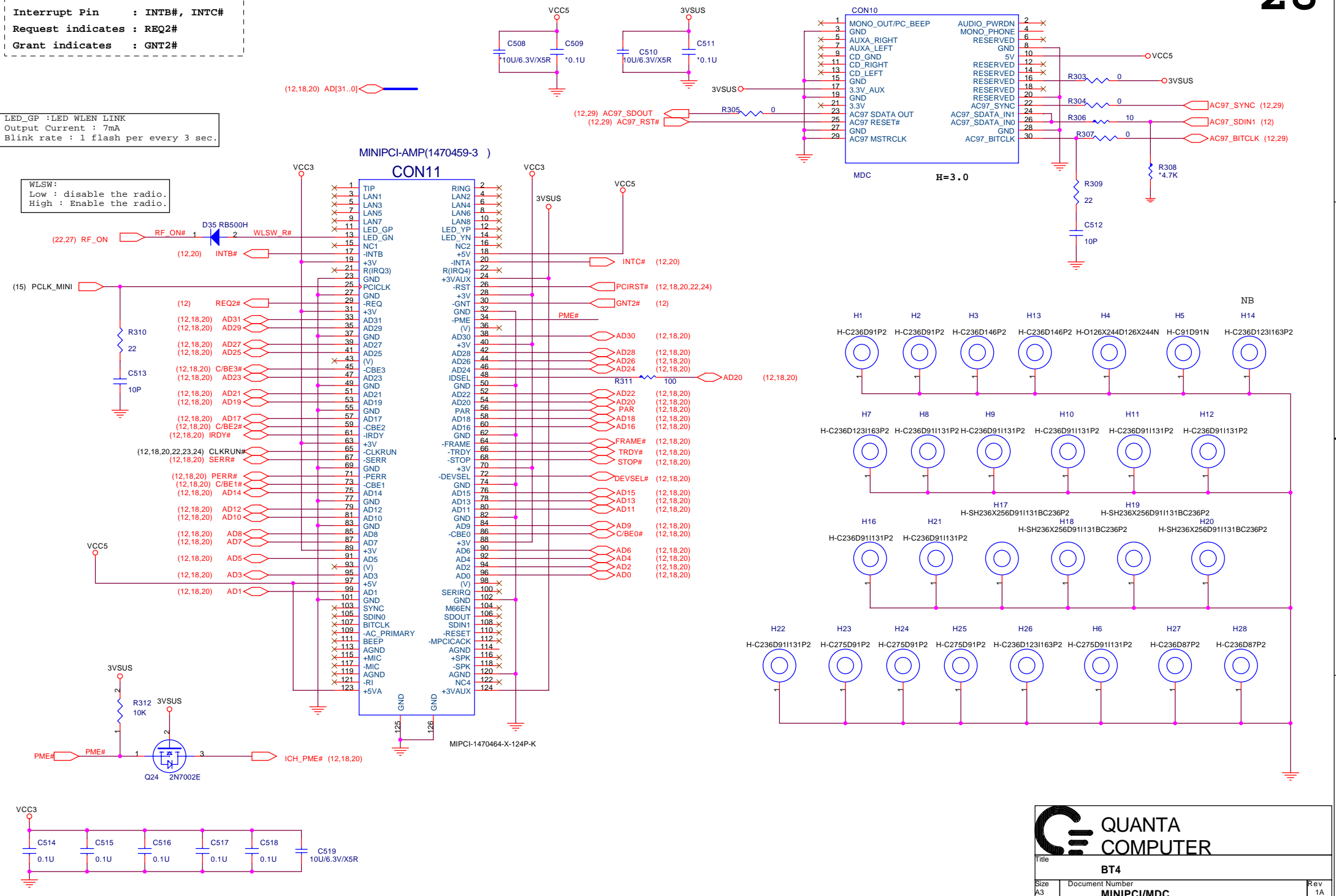
Title		BT4
Size	Document Number	HDD/LED
Custom		Rev 1A
Date:	Tuesday, September 07, 2004	Sheet 27 of 37

MDC

ID Select : AD20
 Interrupt Pin : INTB#, INTC#
 Request indicates : REQ2#
 Grant indicates : GNT2#

LED_GP : LED WLEN LINK
 Output Current : 7mA
 Blink rate : 1 flash per every 3 sec.

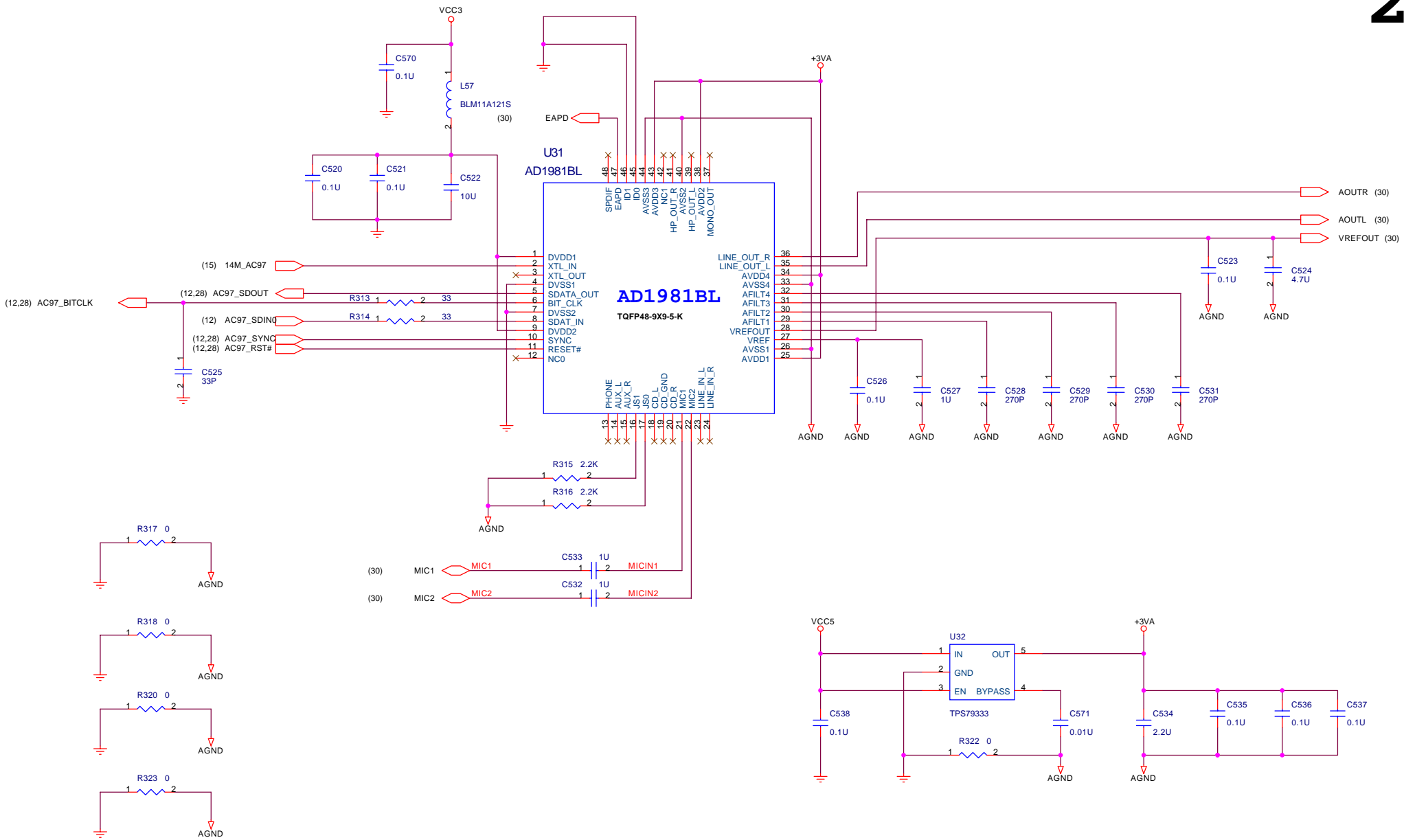
WLSW:
 Low : disable the radio.
 High : Enable the radio.



QUANTA COMPUTER

Title: **BT4**

Size: A3	Document Number: MINIPCI/MDC	Rev: 1A
Date: Tuesday, September 07, 2004	Sheet: 28 of 37	



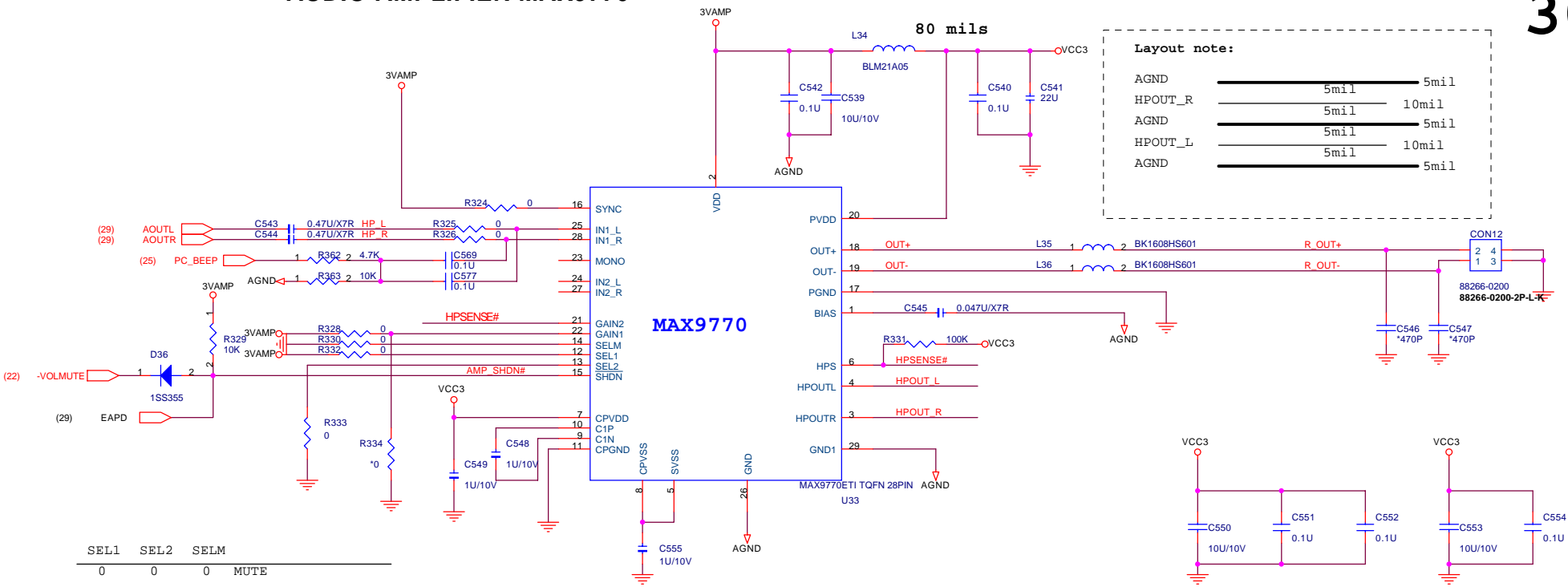
Place at CODEC bottom
between the GND and AGND

QUANTA COMPUTER

Title: **BT4**

Size: A3	Document Number: AUDIO CODEC(AD1981BL)	Rev: 1A
Date: Tuesday, September 07, 2004	Sheet: 29	of 37

AUDIO AMPLIFIER MAX9770

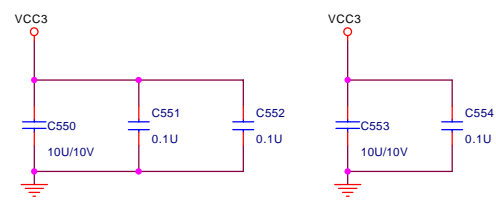


Layout note:

AGND	5mil	5mil
HPOUT_R	5mil	10mil
AGND	5mil	5mil
HPOUT_L	5mil	10mil
AGND	5mil	5mil

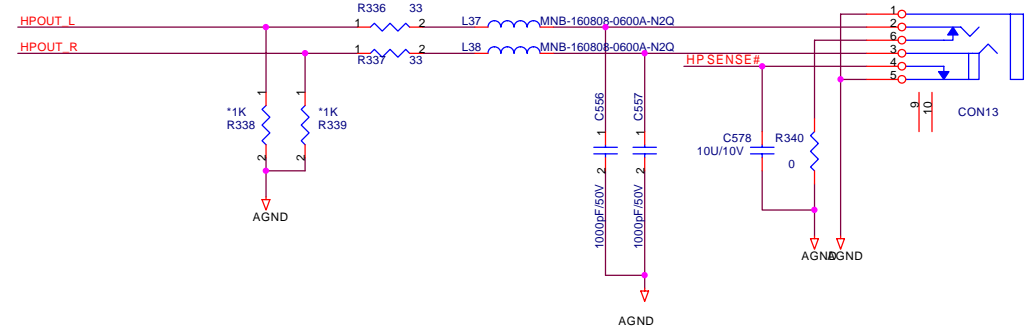
SEL1	SEL2	SELM	
0	0	0	MUTE
0	0	1	MONO
0	1	0	IN2_L/R
0	1	1	(IN2_L/R+MONO) / 2
1	0	0	IN1_L/R
1	0	1	(IN1_L/R+MONO) / 2
1	1	0	(IN1_L/R+IN2_L/R) / 2
1	1	1	(IN1_L/R+IN2_L/R+MONO) / 3

GAIN1	GAIN2	SPEK	dB	HP	dB	
0	0	6	7			
0	1	3	4			
1	0	9	-2			For Speaker
1	1	0	1			For Headphone



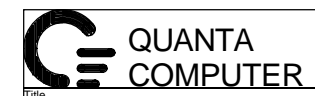
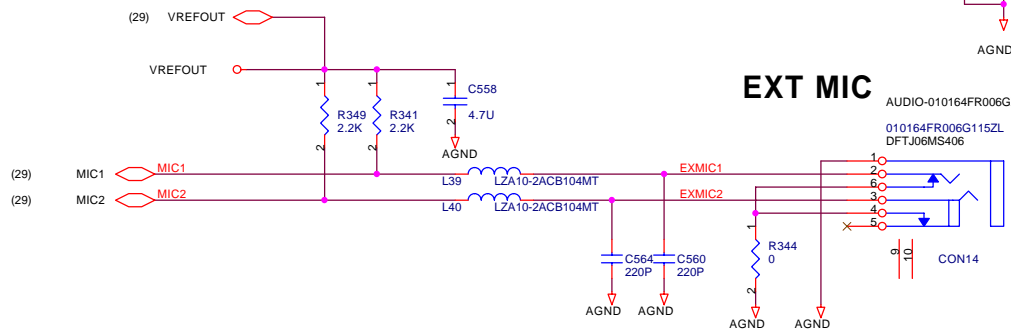
HEADPHONE

AUDIO-010164FR006GX10XL-6P-K
010164FR006G115ZL
DFTJ06MS406

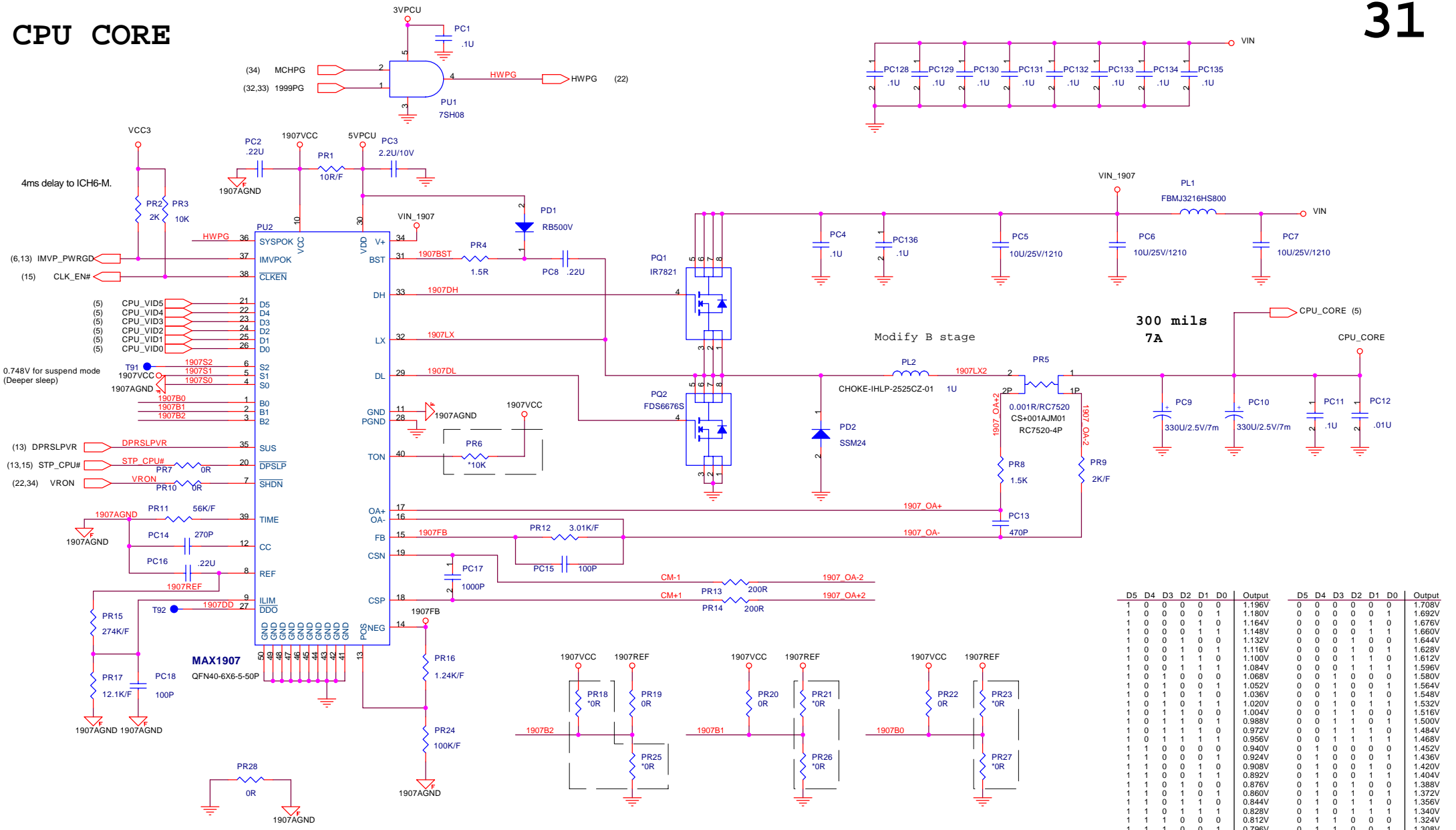


EXT MIC

AUDIO-010164FR006GX10XL-6P-K
010164FR006G115ZL
DFTJ06MS406



CPU CORE



D5	D4	D3	D2	D1	D0	Output	D5	D4	D3	D2	D1	D0	Output
1	0	0	0	0	0	1.196V	0	0	0	0	0	0	1.708V
1	0	0	0	0	1	1.180V	0	0	0	0	0	1	1.692V
1	0	0	0	1	0	1.164V	0	0	0	0	0	1	1.676V
1	0	0	0	1	1	1.148V	0	0	0	0	1	1	1.660V
1	0	1	0	0	0	1.132V	0	0	0	1	0	0	1.644V
1	0	1	0	1	0	1.116V	0	0	0	1	0	1	1.628V
1	0	1	0	1	1	1.100V	0	0	0	1	1	0	1.612V
1	0	1	1	0	0	1.084V	0	0	0	1	1	1	1.596V
1	0	1	1	0	1	1.068V	0	0	1	0	0	0	1.580V
1	0	1	1	0	1	1.052V	0	0	1	0	0	1	1.564V
1	0	1	1	1	0	1.036V	0	0	1	0	1	0	1.548V
1	0	1	1	1	1	1.020V	0	0	1	0	1	1	1.532V
1	1	0	0	0	0	1.004V	0	0	1	1	0	0	1.516V
1	1	0	0	0	1	0.988V	0	0	1	1	0	1	1.500V
1	1	0	0	1	0	0.972V	0	0	1	1	1	0	1.484V
1	1	0	0	1	1	0.956V	0	0	1	1	1	1	1.468V
1	1	0	1	0	0	0.940V	0	0	1	0	0	0	1.452V
1	1	0	1	0	1	0.924V	0	0	1	0	0	1	1.436V
1	1	0	1	1	0	0.908V	0	0	1	0	1	0	1.420V
1	1	0	1	1	1	0.892V	0	0	1	0	1	1	1.404V
1	1	1	0	0	0	0.876V	0	1	0	1	0	0	1.388V
1	1	1	0	0	1	0.860V	0	1	0	1	0	1	1.372V
1	1	1	0	1	0	0.844V	0	1	0	1	1	0	1.356V
1	1	1	0	1	1	0.828V	0	1	0	1	1	1	1.340V
1	1	1	1	0	0	0.812V	0	1	0	0	0	0	1.324V
1	1	1	1	0	1	0.796V	0	1	0	0	1	0	1.308V
1	1	1	1	0	1	0.780V	0	1	0	1	0	1	1.292V
1	1	1	1	1	0	0.764V	0	1	0	1	1	1	1.276V
1	1	1	1	1	0	0.748V	0	1	1	0	0	0	1.260V
1	1	1	1	1	1	0.732V	0	1	1	1	0	1	1.244V
1	1	1	1	1	1	0.716V	0	1	1	1	1	0	1.228V
1	1	1	1	1	1	0.700V	0	1	1	1	1	1	1.212V

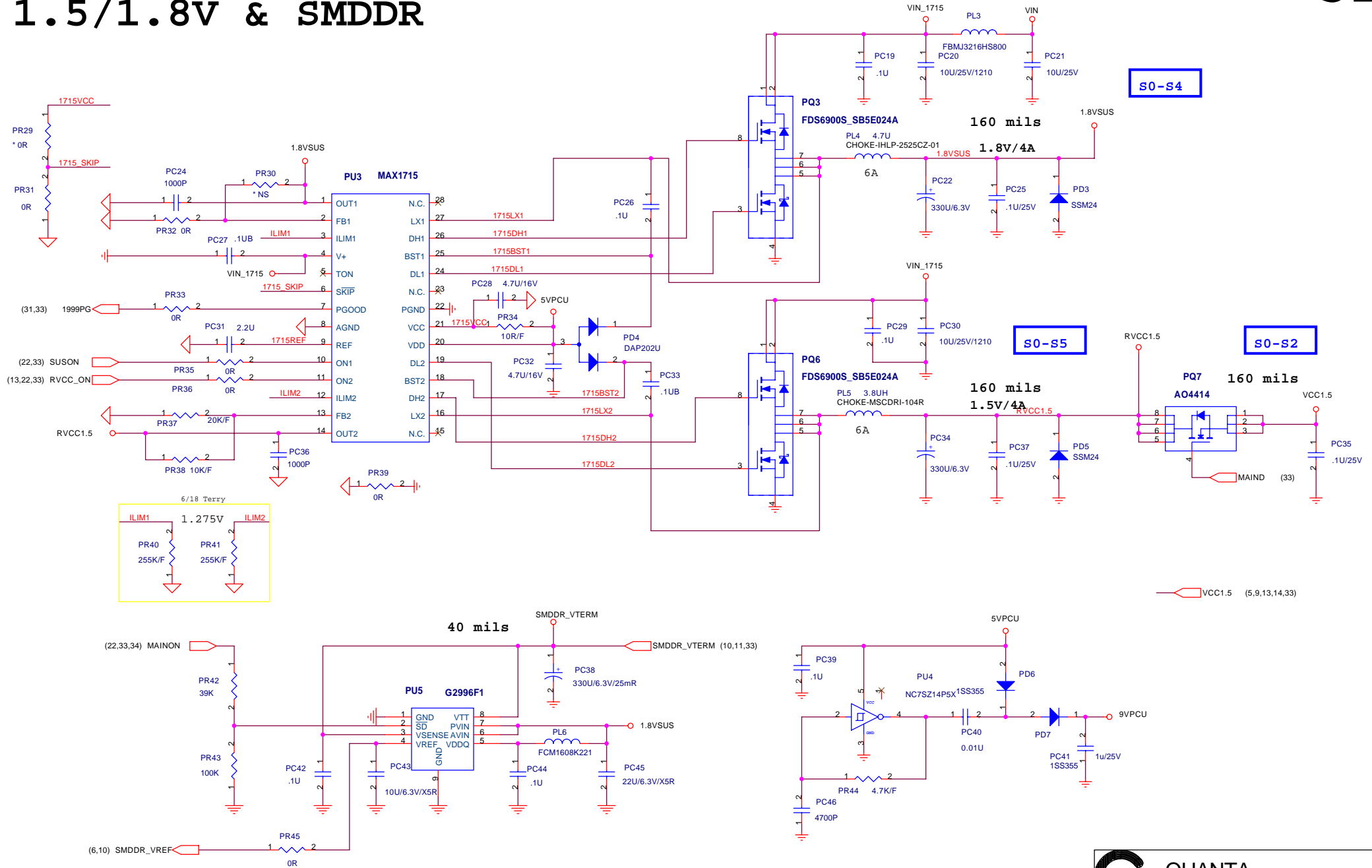
SUSPEND MODE (SUS=HIGH)				
S2	S1	S0	Output	
✓	OPEN	VCC	GND	0.748V

VCC_BOOT				
B2	B1	B0	GND	Output
✓	GND	GND	GND	1.708V
REF	REF	REF	REF	1.372V
OPEN	OPEN	OPEN	OPEN	1.036V
VCC	VCC	VCC	VCC	0.700V
REF	VCC	VCC	VCC	1.212V

**QUANTA
COMPUTER**

Title		
BT4		
Size	Document Number	Rev
A3	CPU CORE	1A
Date:	Tuesday, September 07, 2004	Sheet 31 of 37

1.5/1.8V & SMDDR

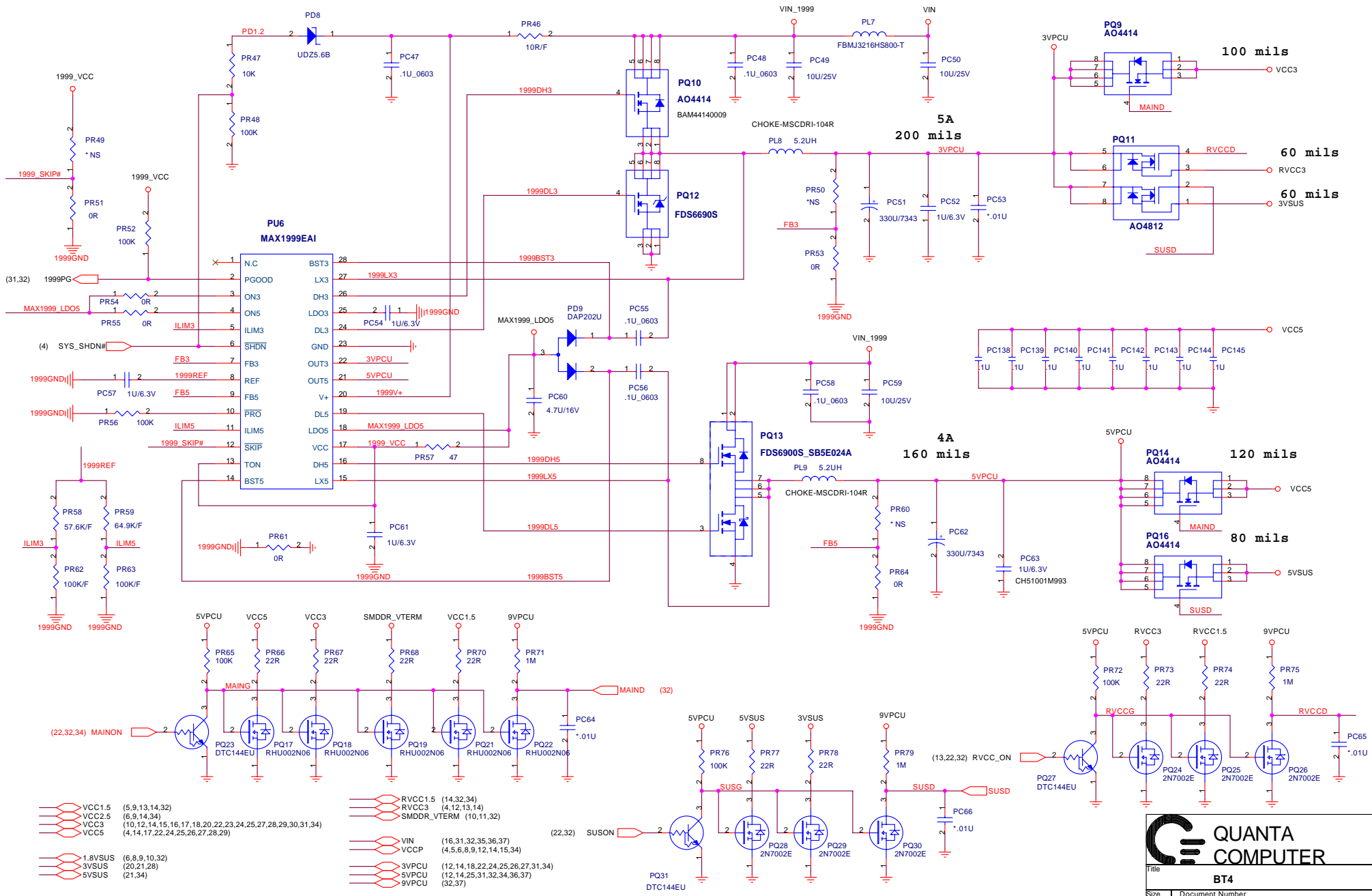


QUANTA COMPUTER

Title: **BT4**

Size A3 Document Number: **1.5V/1.8V & SMDDR** Rev 1A

Date: Tuesday, September 07, 2004 Sheet 32 of 37



QUANTA COMPUTER

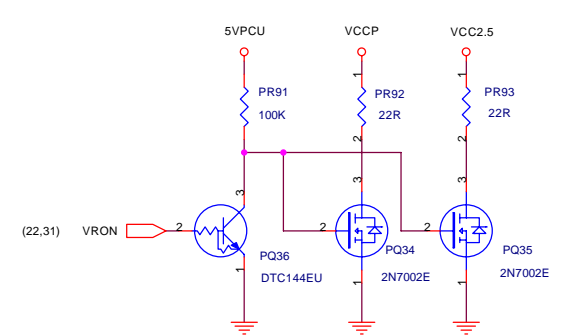
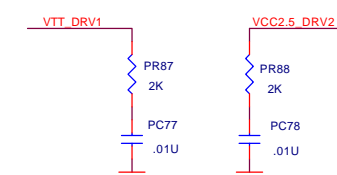
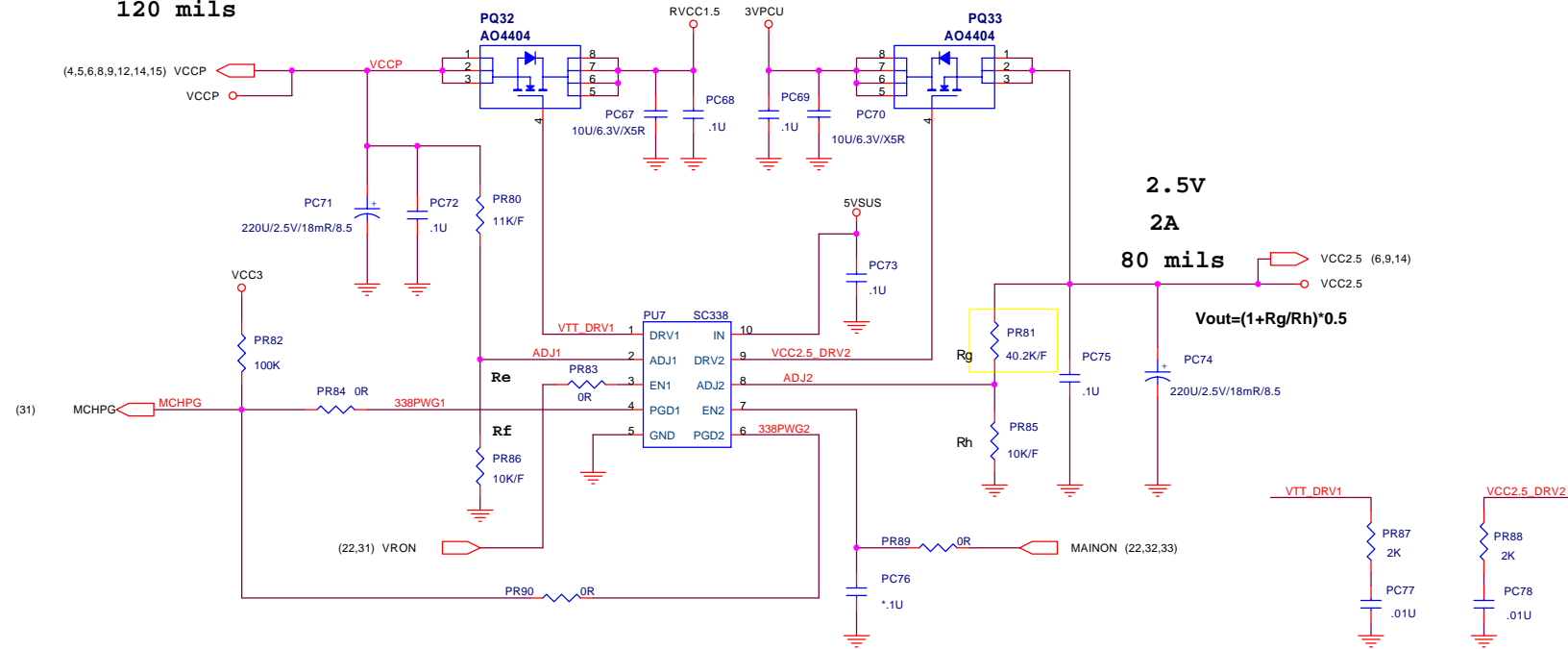
Title: **BT4**

Size: Document Number
 Custom: **3V/5V POWER** Rev 1A

Date: Tuesday, September 07, 2004 Sheet 33 of 37

VCCP 1.05V/2.5V

1.05V
3A
120 mils



- VCC1.5 (5,9,13,14,32,33)
- VCC2.5 (6,9,14)
- VCC3 (10,12,14,15,16,17,18,20,22,23,24,25,27,28,29,30,31,33)
- VCC5 (4,14,17,22,24,25,26,27,28,29,33)
- VIN (16,31,32,33,35,36,37)
- 5VPCU (12,14,25,31,32,33,36,37)

**QUANTA
COMPUTER**

Title: **BT4**

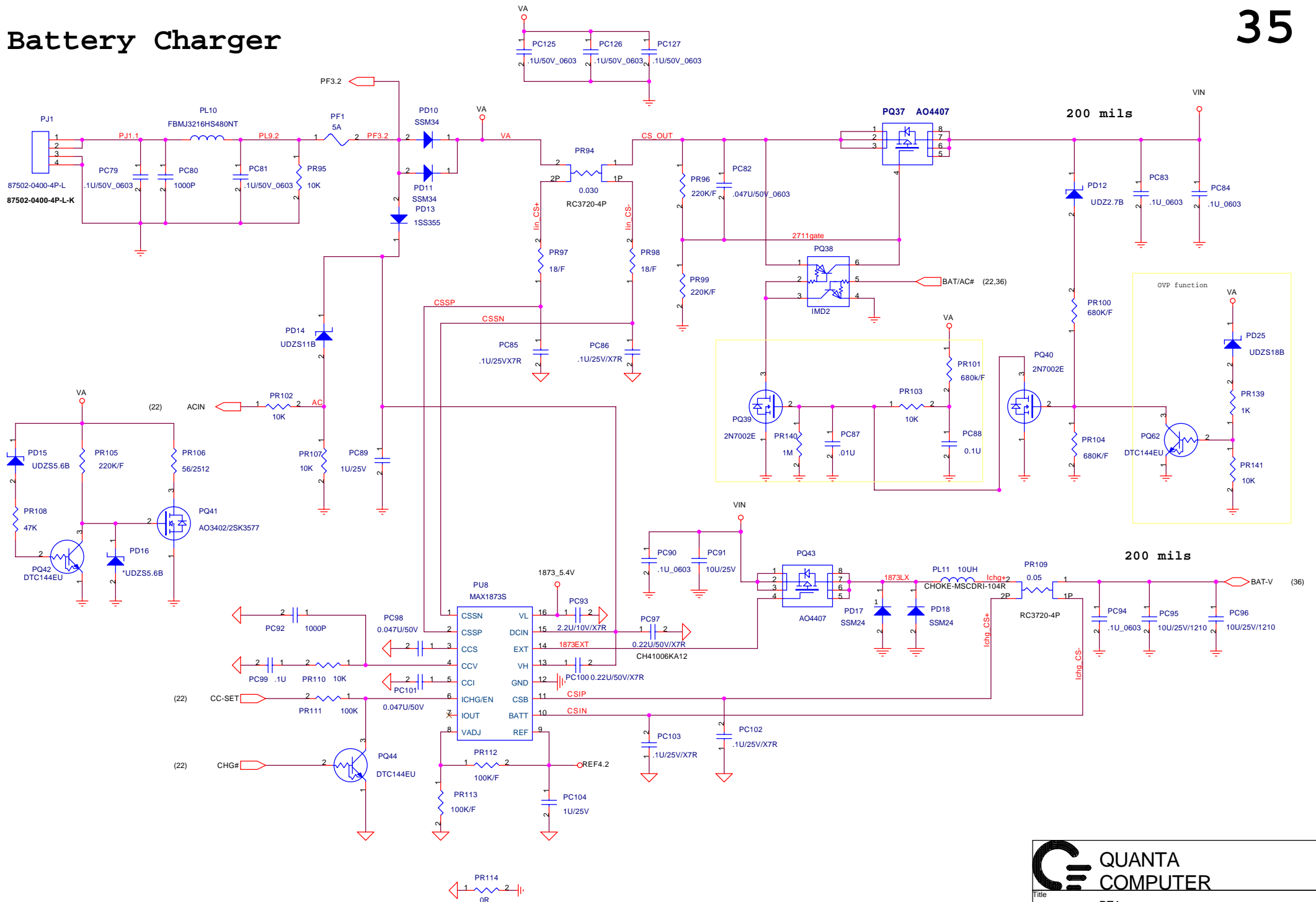
Size: Document Number
Custom: **DDR II POWER (1.8V/0.9V)**

Date: Tuesday, September 07, 2004

Sheet: 34 of 37

Rev: 1A

Battery Charger



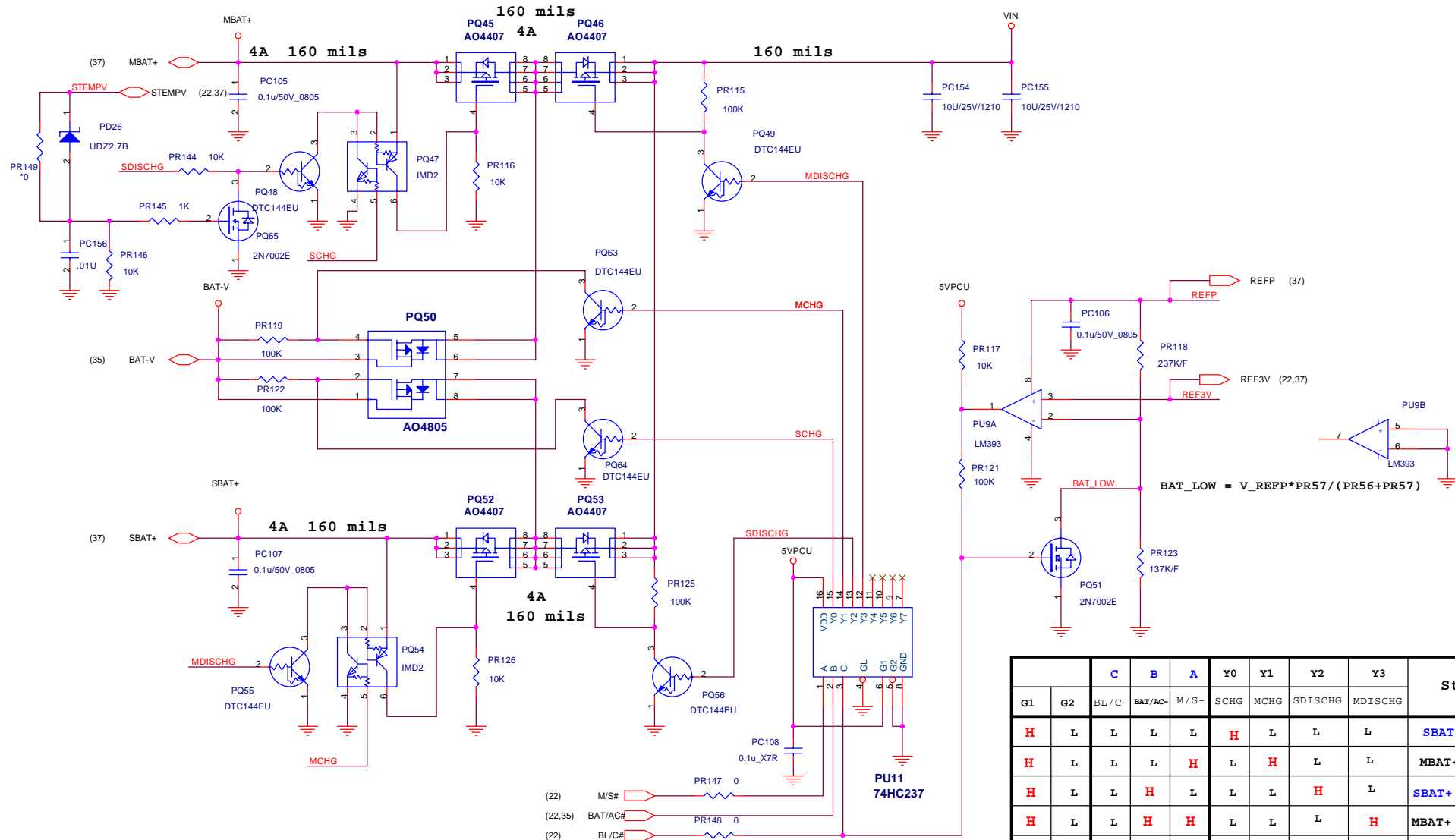
QUANTA COMPUTER

Title: **BT4**

Size: A3 Document Number: **BATTERY CHARGER** Rev: 1A

Date: Tuesday, September 07, 2004 Sheet: 35 of 37

M/S Battery Selector



		C	B	A	Y0	Y1	Y2	Y3	Status
G1	G2	BL/C-	BAT/AC-	M/S-	SCHG	MCHG	SDISCHG	MDISCHG	
H	L	L	L	L	H	L	L	L	SBAT+ Charge
H	L	L	L	H	L	H	L	L	MBAT+ Charge
H	L	L	H	L	L	L	H	L	SBAT+ Discharge
H	L	L	H	H	L	L	L	H	MBAT+ Discharge
H	L	H	L	L	L	L	L	L	Battery Low

QUANTA COMPUTER

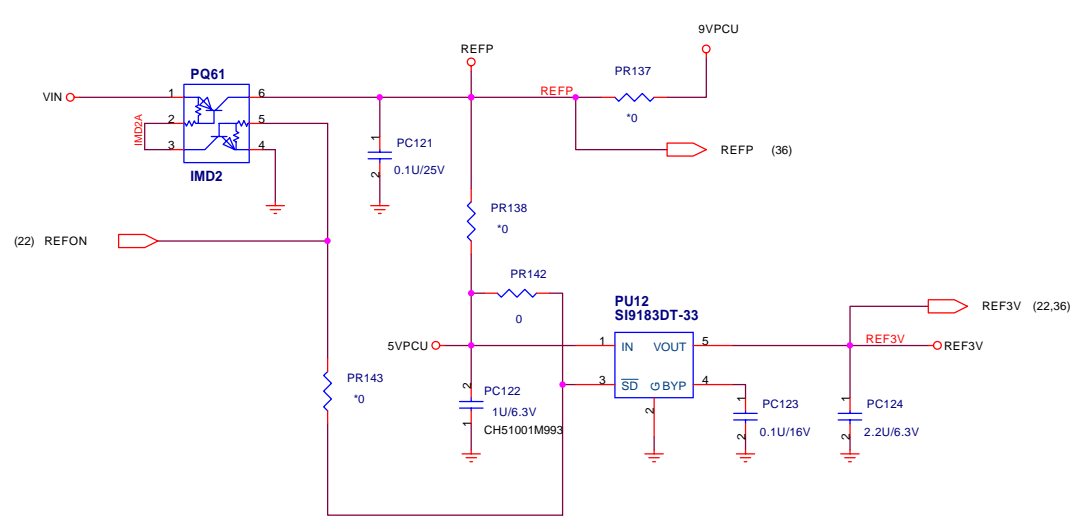
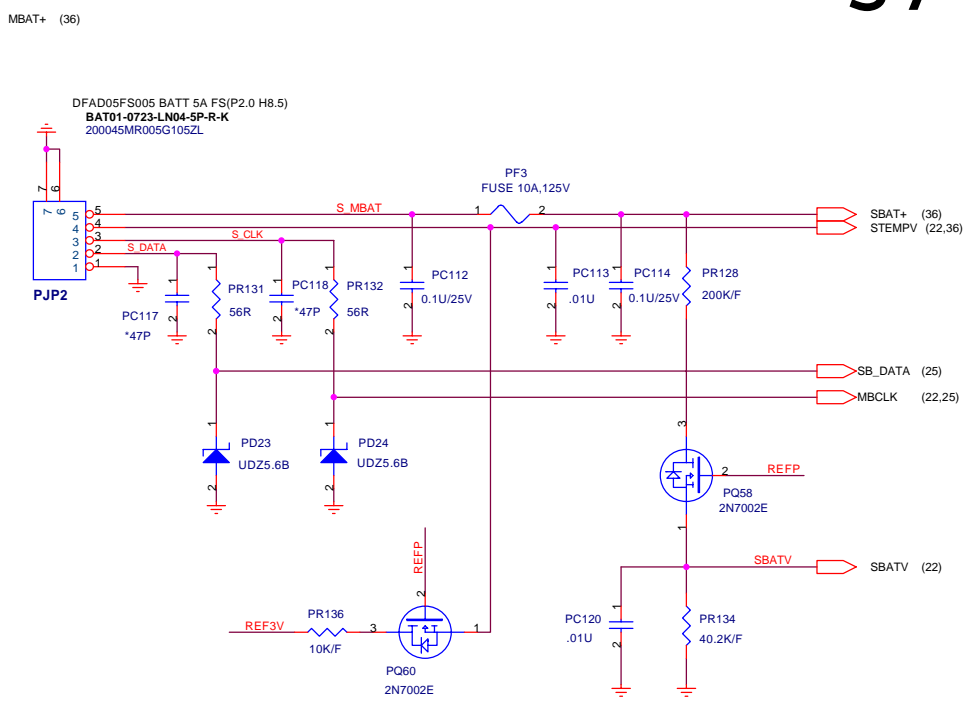
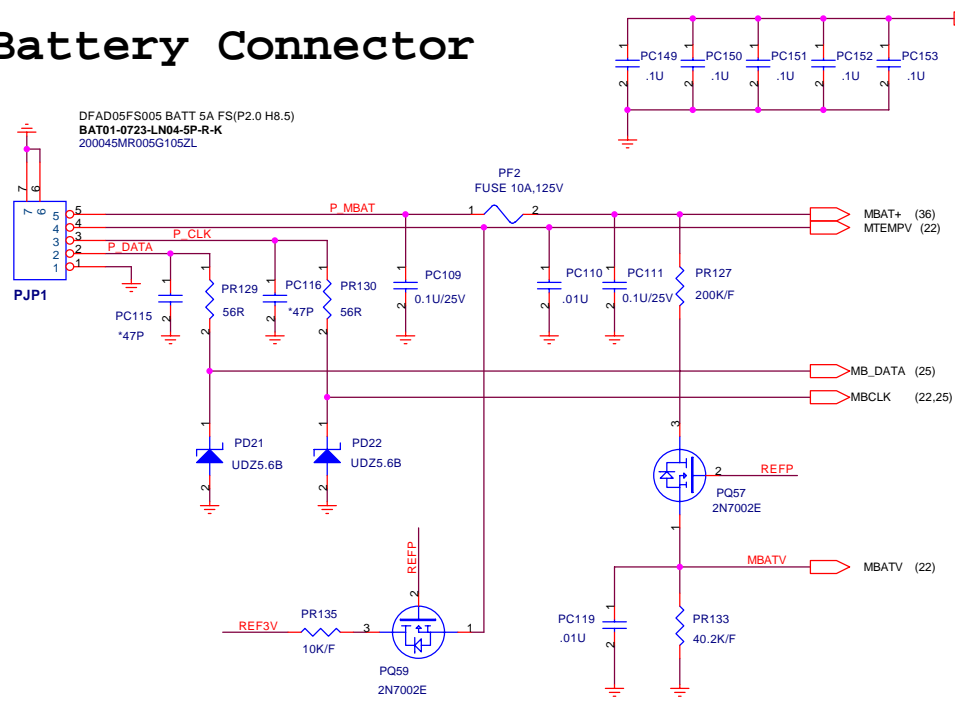
Title: **BT4**

Size: Document Number
 Custom: **M/S BATTERY SELECTOR**

Date: Tuesday, September 07, 2004 Sheet 36 of 37

Rev 1A

Battery Connector



QUANTA COMPUTER		
Title: BT4		
Size: Custom	Document Number: BATTERY SELECTOR	Rev: 1A
Date: Tuesday, September 07, 2004 Sheet 37 of 37		